

Contents

American National Standards

Call for Comment on Standards Proposals	2
Call for Members (ANS Consensus Bodies)	19
Final Actions	24
Project Initiation Notification System (PINS)	26
ANS Maintained Under Continuous Maintenance	30
ANSI-Accredited Standards Developers Contact Information	31

International Standards

ISO and IEC Draft Standards	32
IEC Newly Published Standards	35

Proposed Foreign Government Regulations	36
Information Concerning	37

American National Standards

Call for comment on proposals listed

This section solicits public comments on proposed draft new American National Standards, including the national adoption of ISO and IEC standards as American National Standards, and on proposals to revise, reaffirm or withdraw approval of existing American National Standards. A draft standard is listed in this section under the ANSI-accredited standards developer (ASD) that sponsors it and from whom a copy may be obtained. Comments in connection with a draft American National Standard must be submitted in writing to the ASD no later than the last day of the comment period specified herein. Such comments shall be specific to the section(s) of the standard under review and include sufficient detail so as to enable the reader to understand the commenter's position, concerns and suggested alternative language, if appropriate. Please note that the ANSI Executive Standards Council (ExSC) has determined that an ASD has the right to require that interested parties submit public review comments electronically, in accordance with the developer's procedures.

Ordering Instructions for "Call-for-Comment" Listings

1. **Order from the organization indicated for the specific proposal.**
2. **Use the full identification in your order, including the BSR prefix; for example, Electric Fuses BSR/SAE J554.**
3. **Include remittance with all orders.**
4. **BSR proposals will not be available after the deadline of call for comment.**

Comments should be addressed to the organization indicated, with a copy to the Board of Standards Review, American National Standards Institute, 25 West 43rd Street, New York, NY 10036. Fax: 212-840-2298; e-mail: psa@ansi.org

* Standard for consumer products

Comment Deadline: February 23, 2020

ASHRAE (American Society of Heating, Refrigerating and Air-Conditioning Engineers, Inc.)

New Standard

BSR/ASHRAE Standard 216P-202x, Methods of Test for Determining Application Data of Overhead Circulator Fans (new standard)

The purpose of ASHRAE Standard 216-202x is to specify the instrumentation, facilities, test installation methods, and procedures to determine circulator fan application data for occupant thermal comfort in a space.

[Click here to view these changes in full](#)

Send comments (with optional copy to psa@ansi.org) to: <http://www.ashrae.org/standards-research--technology/public-review-drafts>

NSF (NSF International)

Revision

BSR/NSF/AWWA 375-202x (i2r1), Sustainability Assessment for Water Contact Products (revision and redesignation of ANSI/NSF 375-2016)

This sustainability standard covers products that contact drinking water, wastewater, and recreational water and their packaging. The document includes relevant criteria across the product(s) life cycle from raw material extraction through manufacturing, use, and end-of-life management. The Standard may be primarily used by water contact product(s) manufacturers interested in understanding the sustainability performance of their product(s).

[Click here to view these changes in full](#)

Send comments (with optional copy to psa@ansi.org) to: jsnider@nsf.org

TCIA (ASC A300) (Tree Care Industry Association)

Revision

BSR A300 Part 3-201x, Tree, Shrub, and Other Woody Plant Management - Standard Practices (Supplemental Support Systems) (revision of ANSI A300 Part 3-2013)

A300 (Part 3) Supplemental Support Systems standards are performance standards for the installation and maintenance of tree support systems, including cabling, bracing, and guying. It is a guide in the drafting of work project specifications for consumers as well as federal, state, municipal, and private authorities including property owners, property managers, and utilities.

[Click here to view these changes in full](#)

Send comments (with optional copy to psa@ansi.org) to: Submit comments online at www.tcia.org/A300Standards-CurrentProjects

UL (Underwriters Laboratories, Inc.)

New National Adoption

BSR/UL 60079-13-202x, Standard for Safety for Explosive Atmospheres - Part 13: Equipment Protection by Pressurized Room "p" and Artificially Ventilated Room "v" (national adoption with modifications of IEC 60079-13)

This proposal for UL 60079-13 provides revisions to the proposal document dated February 1, 2019 for the Adoption of IEC 60079-13, Explosive Atmospheres - Part 13: Equipment Protection by Pressurized Room "p" and Artificially Ventilated Room "v" (second edition issued by IEC May 2017) as a new UL IEC-based UL Standard, UL 60079-13, to the applicable requirements per comments received.

[Click here to view these changes in full](#)

Send comments (with optional copy to psa@ansi.org) to: Follow the instructions in the following website to enter comments into the CSDS Work Area: <https://csds.ul.com/Home/ProposalsDefault.aspx>

UL (Underwriters Laboratories, Inc.)

Revision

BSR/UL 2218-202x, Standard for Impact Resistance of Prepared Roof Covering Materials (revision of ANSI/UL 2218-2012 (R2018))

(1) Revision of Section 1.1; (2) Revision of Section 4.3; (3) Depth of depression revision; (4) Revision of Section 5; (5) Mandrel requirement revision; (6) Acceptance criteria revision; (7) New Appendix B.

[Click here to view these changes in full](#)

Send comments (with optional copy to psa@ansi.org) to: Follow the instructions in the following website to enter comments into the CSDS Work Area: <https://csds.ul.com/Home/ProposalsDefault.aspx>

BSR/UL 60745-1-202x, Standard for Safety for Hand-Held Motor-Operated Electric Tools (revision of ANSI/UL 60745-1-2019)

This proposal for UL 60745-1 covers: (1) Proposed addition of national differences to clause L.18.201 to align abnormal testing requirements with the inherent system protections of electronically commutated motors; (2) Proposed addition of a national difference to clause 8.12.1 to allow substituting the marking and instruction requirements in UL 60745-1 with those in the standard for electric motor-operated hand-held tools, transportable tools and lawn and garden machinery - Safety - Part 1: General requirements, UL 62841-1.

[Click here to view these changes in full](#)

Send comments (with optional copy to psa@ansi.org) to: Follow the instructions in the following website to enter comments into the CSDS Work Area: <https://csds.ul.com/Home/ProposalsDefault.aspx>

BSR/UL 61730-2-202x, Standard for Safety for Photovoltaic (PV) module safety qualification - Part 2: Requirements for Testing (revision of ANSI/UL 61730-2-2017)

This proposal for UL 61730-2 covers: (1) Clarification for conducting the production line wet insulation-resistance test of annex DVA.

[Click here to view these changes in full](#)

Send comments (with optional copy to psa@ansi.org) to: Follow the instructions in the following website to enter comments into the CSDS Work Area: <https://csds.ul.com/Home/ProposalsDefault.aspx>

Comment Deadline: March 9, 2020

AAFS (American Academy of Forensic Sciences)

New Standard

BSR/ASB Std 053-202x, Standard for Report Content in Forensic Toxicology (new standard)

This document delineates the requirements for reporting results from forensic toxicology analyses. Specifically, it is intended for the subdisciplines of human performance toxicology (e.g., driving- under-the-influence of alcohol or drugs and drug-facilitated crimes), postmortem forensic toxicology, non-regulated employment drug testing, court-ordered toxicology (e.g., probation and parole, drug courts, child services), and general forensic toxicology (e.g., non-lethal poisonings or intoxications). The document does not apply to the reporting of breath alcohol testing results.

Single copy price: Free

Obtain an electronic copy from: This is a public comment period for a recirculation. Updated document, redline version, and comments can be viewed on the AAFS Standards Board website at: <http://www.asbstandardsboard.org/notice-of-standard-development-and-coordination/>.

Order from: Document will be provided electronically on AAFS Standards Board website <http://www.asbstandardsboard.org/> free of charge.

Send comments (with optional copy to psa@ansi.org) to: asb@aafs.org

BSR/ASB Std 054-202x, Standard for a Quality Control Program in Forensic Toxicology Laboratories (new standard)

This document establishes minimum requirements for quality control practices in forensic toxicology laboratories. The document explains the importance of a quality control program, how to select and care for materials used to prepare quality control samples, proper preparation and use of calibrator and control samples, and requirements for their use in different types of assays. The document also provides direction for the review and monitoring of quality control data in forensic toxicology laboratories. This standard applies to laboratories performing forensic toxicological analysis in the following sub-disciplines: postmortem forensic toxicology, human performance toxicology (e.g., drug-facilitated crimes and driving-under-the-influence of alcohol or drugs), non-regulated employment drug testing, court-ordered toxicology (e.g., probation and parole, drug courts, child services), and general forensic toxicology (non-lethal poisonings or intoxications). It is not intended for the area of breath alcohol toxicology.

Single copy price: Free

Obtain an electronic copy from: This is a public comment period for a recirculation. Updated document, redline version, and comments can be viewed on the AAFS Standards Board website at: <http://www.asbstandardsboard.org/notice-of-standard-development-and-coordination/>.

Order from: Document will be provided electronically on AAFS Standards Board website <http://www.asbstandardsboard.org/> free of charge.

Send comments (with optional copy to psa@ansi.org) to: asb@aafs.org

AAMI (Association for the Advancement of Medical Instrumentation)

Reaffirmation

BSR/AAMI NS28-1988 (R202x), Intracranial pressure monitoring devices (reaffirmation of ANSI/AAMI NS28-1988 (R2015))

Establishes minimum labeling, safety, and performance requirements for intracranial pressure-monitoring devices, whether percutaneous, fully implantable, or noninvasive. Also covered by this standard are test and calibration methods needed to establish compliance with the standard. The following components, which individually or in combination comprise ICP monitor assemblies, are within the scope of this standard when supplied by the manufacturer of the ICP monitoring device: (1) percutaneous fluid-coupled devices, such as ventricular catheters, skull-fixed subarachnoid and subdural devices, subdural balloons, and subdural catheters, and connecting tubing for percutaneous fluid-coupled devices; (2) patient/device interfaces for remote-sensor, servomechanism-regulated devices, such as percutaneous optical, pneumatic, or electrical leads; remote transducers; internal pneumatic devices; and display modules; (3) implantable electrical transducers with percutaneous leads (strain gauges), such as implantable, diaphragm-mounted, strain-gauge transducers and implantable, passive-resistance, circuit transducers (variable inductance and capacitance); and (4) fully implantable devices, such as variable oscillators, passive-absorption devices, and interrogators, receivers, display modules, power sources, and pressure-balancing devices for the transducers in (3).

Single copy price: \$74.00 (AAMI Members)/\$131.00 (List Price)

Obtain an electronic copy from: <https://my.aami.org/store/detail.aspx?id=NS28-PDF>

Send comments (with optional copy to psa@ansi.org) to: Jennifer Moyer, jmoyer@aami.org

ANS (American Nuclear Society)

Reaffirmation

BSR/ANS 8.10-2015 (R202x), Criteria for Nuclear Criticality Safety Controls in Operations with Shielding and Confinement (reaffirmation of ANSI/ANS 8.10-2015)

This standard provides criteria that may be used for operations outside of nuclear reactors with 235U, 233U, 239Pu, and other fissile and fissionable materials in which shielding and confinement are provided for protection of personnel and the public, except for the assembly of these materials under controlled conditions (e.g., critical experiments).

Single copy price: \$105.00

Obtain an electronic copy from: orders@ans.org

Order from: orders@ans.org

Send comments (with optional copy to psa@ansi.org) to: P. Schroeder, pschroeder@ans.org

ASME (American Society of Mechanical Engineers)

Revision

BSR/ASME B30.6-202x, Derricks (revision of ANSI/ASME B30.6-2015)

Volume B30.6 includes provisions that apply to the construction, installation, operation, inspection, testing, and maintenance of guy, stiffleg, basket, breast, gin pole, Chicago boom, shearleg, and A-frame derricks.

Single copy price: Free

Obtain an electronic copy from: <http://cstools.asme.org/publicreview>

Order from: Terrell Henry, (212) 591-8489, ansibox@asme.org

Send comments (with optional copy to psa@ansi.org) to: Kathleen Peterson, (800) 843-2763, petersonk@asme.org

ASSP (Safety) (American Society of Safety Professionals)

Reaffirmation

BSR/ASSP Z244.1-2016 (R202x), The Control of Hazardous Energy Lockout, Tagout and Alternative Methods (reaffirmation of ANSI/ASSP Z244.1-2016 (R202x))

This standard covers machines, equipment, and processes in which the unexpected energization or start-up of the machines or equipment, release of stored energy, or the actions of persons could result in harm. This standard establishes requirements for the control of hazardous energy associated with machines, equipment, or processes that could cause harm to personnel. The standard specifies the use of lockout (primary method), tagout or alternative methods to control hazardous energy associated with machines, equipment, or processes that could cause harm to personnel. This standard applies to activities such as erecting, installing, constructing, repairing, adjusting, inspecting, unjamming, set-up, testing, troubleshooting, cleaning, dismantling, servicing, and maintaining machines, equipment, or processes.

Single copy price: \$110.00

Order from: Lauren Bauerschmidt, (847) 768-3475, LBauerschmidt@assp.org

Send comments (with optional copy to psa@ansi.org) to: Same

ATIS (Alliance for Telecommunications Industry Solutions)

Reaffirmation

BSR/ATIS 1000013.v2-2015 (R202x), Lawfully Authorized Electronic Surveillance (LAES) for Internet Access and Services (reaffirmation of ANSI/ATIS 1000013.v2-2015)

Internet Access and Services can be obtained by establishing a subscription-based arrangement. This standard provides capabilities to lawfully intercept communications of subscription-based Internet Access and Services arrangements.

Single copy price: \$220.00

Obtain an electronic copy from: akarditzas@atis.org

Order from: Anna Karditzas, (202) 434-8843, akarditzas@atis.org

Send comments (with optional copy to psa@ansi.org) to: Same

BSR/ATIS 1000061-2015 (R202x), LTE Access Class 14 for National Security and Emergency Preparedness (NS/EP) Communications (reaffirmation of ANSI/ATIS 1000061-2015)

The purpose of this TR is to provide operational guidance regarding the assignment and use of the 3GPP LTE specifications for Access Class Barring to support National Security and Emergency Preparedness (NS/EP) Next Generation Network Priority-Services (NGN-PS).

Single copy price: \$30.00

Obtain an electronic copy from: akarditzas@atis.org

Order from: Anna Karditzas, (202) 434-8843, akarditzas@atis.org

Send comments (with optional copy to psa@ansi.org) to: Same

BSR/ATIS 1000065-2015 (R202x), ETS EPC Network Element Requirements (reaffirmation of ANSI/ATIS 1000065-2015)

This standard specifies Emergency Telecommunications Service (ETS) requirements for an Evolved Packet System (EPS) consisting of the Evolved UMTS (Universal Mobile Telecommunications System) Terrestrial Radio Access Network (E-UTRAN) and the Evolved Packet Core (EPC) for support of NGN GETS Voice, NGN GETS Video, NGN GETS Guaranteed Bit Rate (GBR) Data, and NGN GETS Data Transport.

Single copy price: \$275.00

Obtain an electronic copy from: akarditzas@atis.org

Order from: Anna Karditzas, (202) 434-8843, akarditzas@atis.org

Send comments (with optional copy to psa@ansi.org) to: Same

BSR/ATIS 1000067-2015 (R202x), IP NGN Enhanced Calling Name (eCNAM) (reaffirmation of ANSI/ATIS 1000067-2015)

This American National Standard defines a Calling Name Delivery service in the IP-based Next Generation Network (NGN). The enhanced CNAM (eCNAM) service includes a mandatory longer name field and optional additional information about the caller.

Single copy price: \$60.00

Obtain an electronic copy from: akarditzas@atis.org

Order from: Anna Karditzas, (202) 434-8843, akarditzas@atis.org

Send comments (with optional copy to psa@ansi.org) to: Same

BSR/ATIS 1000113-2015 (R202x), Signaling System No. 7 - ISDN User Part (reaffirmation of ANSI/ATIS 1000113-2015)

The Integrated Services Digital Network (ISDN) User Part defines the protocol which supports the signaling functions required to provide voice and non-voice services in an Integrated Services Digital Network. This standard is based on the Specification of Signaling System No. 7 for international use issued by ITU-T Study Group 11 in the year 2000 and subsequent amendments. This standard is based on and uses, where applicable, the same signaling procedures, parameters, and message types as the internationally specified ISDN User Part of the ITU-T Signaling System No. 7. The PTSC-PSTN subcommittee has developed this standard to suit anticipated needs and applications within and between U.S. networks.

Single copy price: \$590.00

Obtain an electronic copy from: akarditzas@atis.org

Order from: Anna Karditzas, (202) 434-8843, akarditzas@atis.org

Send comments (with optional copy to psa@ansi.org) to: Same

BSR/ATIS 1000678.v3-2015 (R202x), Lawfully Authorized Electronic Surveillance (LAES) for Voice over Packet Technologies in Wireline Telecommunications Networks, Version 3 (reaffirmation of ANSI/ATIS 1000678.v3-2015)

This Standard defines the interfaces between a Telecommunication Service Provider (TSP) and a Law Enforcement Agency (LEA) to assist the LEA in conducting lawfully authorized electronic surveillance for Voice over Internet Protocol (VoIP) in Wireline Telecommunications Networks. Version 1 of T1.678 (T1.678-2004) provides support for Voice over Packet (VoP) services utilizing basic SIP call control and basic H.323 call control for IP. Version 2 of T1.678 (ATIS 1000678.v2.2006) adds support for supplementary services such as hold/retrieve, multi-party calls, and call transfer. Version 3 (ATIS 1000678.20xx) incorporates ATIS 1000678.a.v2.2007 (Supplement A to ATIS 1000678.v2.2006), ATIS 1000678.b.v2.2010 (Supplement B to ATIS 1000678.v2.2006), and provides clarifications, corrections, and enhancements. Version 3 also removes support for H.323 call control for IP. Upon publication, this Standard supersedes and replaces ATIS 1000678.v2.2006, ATIS 1000678.a.v2.2007, and ATIS 1000678.b.v2.2010. This document provides the mechanisms to perform lawfully authorized electronic surveillance of VoIP subject to the appropriate legal and regulatory environment. It is not the intent of this document to imply or impact any pending Communications Assistance for Law Enforcement Act (CALEA) regulatory decisions related to VoIP.

Single copy price: \$400.00

Obtain an electronic copy from: akarditzas@atis.org

Order from: Anna Karditzas, (202) 434-8843, akarditzas@atis.org

Send comments (with optional copy to psa@ansi.org) to: Same

BSR/ATIS 1000679-2015 (R202x), Interworking between Session Initiation Protocol (SIP) and ISDN User Part (reaffirmation of ANSI/ATIS 1000679-2015)

This Standard defines the signaling interworking between the ISDN User Part (ISUP) protocol and SIP in order to support services that can be commonly supported by ISUP- and SIP-based network domains. The title of this standard has been modified from ATIS 1000679.2004 to reflect the removal of interworking between SIP and Bearer-Independent Call Control.

Single copy price: \$400.00

Obtain an electronic copy from: akarditzas@atis.org

Order from: Anna Karditzas, (202) 434-8843, akarditzas@atis.org

Send comments (with optional copy to psa@ansi.org) to: Same

ATIS (Alliance for Telecommunications Industry Solutions)

Stabilized Maintenance

BSR/ATIS 0100027-2010 (S202x), Availability - A Guide to Consistent Definitions (stabilized maintenance of ANSI/ATIS 0100027-2010 (R2015))

In order for service providers, vendors, or customers of the network to develop an SLA that includes the availability metric, the definition of availability must be agreed upon and a method for estimation developed. This Technical Report (TR) will describe the components of the definition of "Availability" that should be present. The purpose is to stimulate consistency in the manner which availability is defined in various standards documents. Additionally, the TR will describe an ITU-T (International Telecommunication Union – Telecommunication Standardization Sector) proposed "Universal" definition for compatibility. And finally, the TMForum's SLA Management Handbook [GB917] should also be consulted since it provides additional guidance.

Single copy price: \$60.00

Obtain an electronic copy from: akarditzas@atis.org

Order from: Anna Karditzas, (202) 434-8843, akarditzas@atis.org

Send comments (with optional copy to psa@ansi.org) to: Same

BSR/ATIS 0100502-2005 (S202x), System N-NTSC Television Signals - Network Interfaces Specifications and Performance Parameters (stabilized maintenance of ANSI/ATIS 0100502-2005 (R2015))

This standard defines network interface specifications and performance parameters and values for television transmission service channels supporting 525-line, system M-NTSC color or monochrome video signals and the associated audio signals.

Single copy price: \$220.00

Obtain an electronic copy from: akarditzas@atis.org

Order from: Anna Karditzas, (202) 434-8843, akarditzas@atis.org

Send comments (with optional copy to psa@ansi.org) to: Same

BSR/ATIS 0100521-2005 (S202x), Packet Loss Concealment for Use with ITU-T Recommendation G.711 (stabilized maintenance of ANSI/ATIS 0100521-2005 (R2015))

This standard describes Packet Loss Concealment algorithms for use in packetized speech transmission systems that use ITU-T Recommendation G.711 to code speech signals. These concealment algorithms enable high-quality speech transmission in operating environments where packet losses occur by providing high-quality packet loss recovery methods.

Single copy price: \$175.00

Obtain an electronic copy from: akarditzas@atis.org

Order from: Anna Karditzas, (202) 434-8843, akarditzas@atis.org

Send comments (with optional copy to psa@ansi.org) to: Same

BSR/ATIS 0100801.04-2005 (S202x), Multimedia Communications Delay, Synchronization and Frame Rate (stabilized maintenance of ANSI/ATIS 0100801.04-2005 (R2015))

This standard addresses delay and synchronization issues in Multimedia systems that may combine video, audio, and data channels. Video delay can vary widely over short sequences. Audio and video sequences may be distorted during transmission and data streams can have little or no structure and may contain bit errors. Although each media presents unique measurement challenges, the methods specified in this standard meet and overcome them. This standard also gives considerations for joint measurements and specifications for internal clocks that provide time stamps. Performance standards development proceeds in three stages, specifying parameters, methods of measurement, and (usually numerical) limits for services, networks, or equipment. This specification addresses the first two stages, laying a foundation for the third.

Single copy price: \$386.00

Obtain an electronic copy from: akarditzas@atis.org

Order from: Anna Karditzas, (202) 434-8843, akarditzas@atis.org

Send comments (with optional copy to psa@ansi.org) to: Same

BSR/ATIS 1000006-2005 (S202x), Signaling System No. 7 (SS7) - Emergency Telecommunications Service (ETS) (stabilized maintenance of ANSI/ATIS 1000006-2005 (R2015))

This document builds upon the High Probability of Completion (HPC) Network Capability as described in T1.631-1993 (R1999). The ETS service is expanded to address bearer networks and the ITU-T Recommendation E.106, International Emergency Preference Scheme for Disaster Relief Operations (IEPS).

Single copy price: \$205.00

Obtain an electronic copy from: akarditzas@atis.org

Order from: Anna Karditzas, (202) 434-8843, akarditzas@atis.org

Send comments (with optional copy to psa@ansi.org) to: Same

BSR/ATIS 1000034-2010 (S202x), Next Generation Network (NGN): Security Mechanisms and Procedures (stabilized maintenance of ANSI/ATIS 1000034-2010 (R2015))

ATIS 1000029.2008, NGN Security Requirements, provides security requirements for next generation networks (NGNs) and its interfaces (e.g., UNIs, NNIs and ANIs). This standard describes some security mechanisms that can be used to fulfill the requirements described in ATIS 1000029.2008 and specifies the suite of options for each selected mechanism. Specifically, this standard describes identification, authentication, and authorization mechanisms; then discusses transport security for signalling and OAMP, and media security. It then describes audit-trail-related mechanisms and finally describes the provisioning. The security mechanisms described in this standard are based on use of the trust model defined in ATIS 100029. The list of security mechanisms described in this standard is not exhaustive. NGN providers are encouraged to support additional security tools, capabilities and operational measures as needed beyond the mechanisms specified in this standard for NGN security protection.

Single copy price: \$220.00

Obtain an electronic copy from: akarditzas@atis.org

Order from: Anna Karditzas, (202) 434-8843, akarditzas@atis.org

Send comments (with optional copy to psa@ansi.org) to: Same

BSR/ATIS 1000110-1999 (S202x), Signaling System No. 7 (SS7) - General Information (stabilized maintenance of ANSI/ATIS 1000110-1999 (R2015))

ANSI T1.110-1999 was originally based on the 1988 Blue Book specification of Signalling System No. 7 (SS#7) for international use issued by the CCITT Study Group XI (Vol. VI Fascicles VI.7 and VI.8) and is intended to be generally compatible with that standard and its successors. It has been appropriately modified for use within and between U.S. networks to meet the anticipated needs and applications of those entities. In general, these modifications fall into two categories: (1) The specification of options designated by the ITU-T (formerly CCITT) for national use; (2) Extensions to the 1992 protocol to provide for new applications of the SS7 protocol. This is in accordance with current and projected ITU-T activity.

Single copy price: \$275.00

Obtain an electronic copy from: akarditzas@atis.org

Order from: Anna Karditzas, (202) 434-8843, akarditzas@atis.org

Send comments (with optional copy to psa@ansi.org) to: Same

BSR/ATIS 1000111-2005 (S202x), Signaling System No. 7 (SS7) - Message Transfer Part (MTP) (stabilized maintenance of ANSI/ATIS 1000111-2005 (R2015))

The overall objective of the SS7 Message Transfer Part (MTP) is to provide an internationally standardized general-purpose common channel signalling system that provides a reliable means of transfer of information in correct sequence and without loss or duplication.

Single copy price: \$590.00

Obtain an electronic copy from: akarditzas@atis.org

Order from: Anna Karditzas, (202) 434-8843, akarditzas@atis.org

Send comments (with optional copy to psa@ansi.org) to: Same

BSR/ATIS 1000112-2005 (S202x), Signaling System No. 7 (SS7) - Signaling Connection Control Part (SCCP) (stabilized maintenance of ANSI/ATIS 1000112-2005 (R2015))

The Signaling Connection Control Part (SCCP) provides additional functions to the Message Transfer Part (MTP) to provide both connectionless as well as connection-oriented network services to transfer circuit-related and non circuit-related signaling information and other types of information between exchanges and specialized centers in telecommunication networks (e.g., for management and maintenance purposes) via a Signaling System No. 7 (SS7) network.

Single copy price: \$590.00

Obtain an electronic copy from: akarditzas@atis.org

Order from: Anna Karditzas, (202) 434-8843, akarditzas@atis.org

Send comments (with optional copy to psa@ansi.org) to: Same

BSR/ATIS 1000116-2000 (S202x), Signaling System No. 7 (SS7) - Operations, Maintenance, and Administrative Part (OAMP) (stabilized maintenance of ANSI/ATIS 1000116-2000 (R2015))

Signalling System Number 7 (SS7) - Operations, Maintenance, and Administration Part (OMAP) is an American National Standard based on ITU-T Recommendations Q.750 through Q.756 of Signalling System No. 7 (SS7) for international use, and is intended to be compatible with that standard. It has been modified for use within and between U.S. Networks to meet the anticipated needs and applications of those entities. These modifications are the result of extensive work by the members of the T1S1.3 Working Group on U.S. Standards for Common Channel Signalling. Topics included are an Overview of Signalling System Number 7 (SS7) Management (OMAP), Monitoring and Measurements for Signalling System Number 7 Networks, Signalling System Number 7 (SS7) Management Functions MRVT, SRVT, CVT and Definition of the OMASE-User, Signalling System Number 7 (SS7) - OMAP Management ASE (OMASE) Definitions for Functions MRVT, SRVT and CVT, and a Signalling System Number 7 Guide Book to OMAP.

Single copy price: \$470.00

Obtain an electronic copy from: akarditzas@atis.org

Order from: Anna Karditzas, (202) 434-8843, akarditzas@atis.org

Send comments (with optional copy to psa@ansi.org) to: Same

BSR/ATIS 1000118-1992 (S202x), Signaling System No. 7 (SS7) - Intermediate Signaling Network Identification (ISNI) (stabilized maintenance of ANSI/ATIS 1000118-1992 (R2015))

The Intermediate Signalling Network Identification (ISNI) capability allows an application process in the origination network to specify intermediate signalling network(s) for non-circuit-associated signalling messages, or to notify an application process in the destination network about such intermediate signalling network(s), or to do both. ISNI may be invoked by a variety of services. The end user can interact with an end user service that may invoke the ISNI capability. The specific end user service that invokes ISNI is not within the scope of this capability description. The ISNI capability is therefore not visible to the end user, but allows an end user service to take place. Thus, there is a “layering” of services and capabilities, and the visible end user services may need the ISNI capability to complete. The specification of the intermediate signalling networks or the decision to request that the application process in the destination network be notified about the intermediate networks may be determined by end users or networks.

Single copy price: \$145.00

Obtain an electronic copy from: akarditzas@atis.org

Order from: Anna Karditzas, (202) 434-8843, akarditzas@atis.org

Send comments (with optional copy to psa@ansi.org) to: Same

BSR/ATIS 1000619-1992 (S202x), ISDN - Multi-Level Precedence and Preemption (MLPP) Service Capability (stabilized maintenance of ANSI/ATIS 1000619-1992 (R2015))

This American National Standard defines and describes the multi-level precedence and preemption (MLPP) supplementary service in the context of an integrated services digital network (ISDN). The MLPP service provides a prioritized call handling service. This service has two parts - precedence and preemption. Precedence involves assigning to a call, on a per-call basis, a priority level, and validating the priority level. Preemption involves seizing of resources, which are in use by calls of lower precedences, by a higher precedence call in the absence of idle resources. Preemption may occur in the network or user access. As a service provider option, before preemption of lower precedence calls, a network may provide a search and reservation of network resources via a look-ahead for busy (LFB) function to ensure that network and called user access resources are available to complete the higher precedence call prior to preemption. This service applies to both an ISDN basic rate access and an ISDN primary rate access. It is intended to supplement (a) the basic circuit mode bearer services contained in ANSI T1.604-1990, American National Standard for Telecommunications - Integrated services digital network (ISDN) - Minimal set of bearer services for the basic rate interface; (b) the signalling system number 7 (SS7) basic call signaling procedures contained in ANSI T1.113-1988, American National Standard for Telecommunications - Signalling system number 7 (SS7) - Integrated services digital network (ISDN) user part; (c) the digital subscriber signaling system number 1 (DSS1) basic call-signaling procedures contained in ANSI T1.607-1990, American National Standard for Telecommunications - Integrated services digital network (ISDN) - Layer 3 signaling specification for circuit-switched bearer service for digital subscriber signaling system number 1 (DSS1); (d) the generic procedures for use with ISDN supplementary services contained in ANSI T1.610-1990, American National Standard for Telecommunications - Digital subscriber signaling system number 1 (DSS1) - Generic procedures for the control of ISDN supplementary services. This standard also defines the interactions of the MLPP service with other ISDN supplementary services. Manufacturers of ISDN user terminals and customer premise equipment (CPE) and manufacturers of ISDN switching equipment can apply this standard to the design and development of their products.

Single copy price: \$330.00

Obtain an electronic copy from: akarditzas@atis.org

Order from: Anna Karditzas, (202) 434-8843, akarditzas@atis.org

Send comments (with optional copy to psa@ansi.org) to: Same

BSR/ATIS 1000628-2000 (S202x), Emergency Calling Service (stabilized maintenance of ANSI/ATIS 1000628-2000 (R2015))

This standard specifies the capabilities required to support the passing of location and callback information associated with the calling user to a Public Safety Answering Point (PSAP) attendant, to provide network routing and transfer features associated with emergency service calls, and to deliver control indications (e.g., flashing display) to the PSAP attendant. Emergency Calling Service (ECS) allows emergency service calls to be completed through the network to an appropriate emergency service attendant, and to provide the PSAP attendant with location information (if available) regarding the calling user.

Single copy price: \$175.00

Obtain an electronic copy from: akarditzas@atis.org

Order from: Anna Karditzas, (202) 434-8843, akarditzas@atis.org

Send comments (with optional copy to psa@ansi.org) to: Same

ECIA (Electronic Components Industry Association)

Revision

BSR/EIA 364-05C-202x, Contact Insertion, Release and Removal Force Test Procedure for Electrical Connectors (revision and redesignation of ANSI/EIA 364-05B-2009 (R2015))

This standard establishes a test method to determine the forces required to insert contacts into and remove contacts from their normal position in a connector.

Single copy price: \$72.00

Obtain an electronic copy from: <https://global.ihs.com/>

Order from: Global Engineering Documents, (800) 854-7179, www.global.ihs.com

Send comments (with optional copy to psa@ansi.org) to: Ed Mikoski, emikoski@ecianow.org

HL7 (Health Level Seven)

New Standard

BSR/HL7 EHRS IFP, R1-202x, HL7 EHRS-FM Release 2: Immunization Functional Profile, Release 1 (new standard)

This project will create an Immunization Functional Profile based on ISO/HL7 10781 EHR System Functional Model (EHR-S FM) Release 2. It will review and develop (where needed) immunization functionality for EHR systems, with related conformance criteria. The project will utilize the EHR-S Model and Profile Tool for draft development, for publication of ballot drafts, for ballot reconciliation and for publication of the final draft for publication. Subject matter experts will be drawn from the PHER WG, from public health agencies, from providers and others, including experts from the international community.

Single copy price: Free to HL7 members and non-members

Obtain an electronic copy from: Karenvan@HL7.org

Order from: Karen Van Hentenryck, (734) 677-7777, Karenvan@HL7.org

Send comments (with optional copy to psa@ansi.org) to: Karenvan@HL7.org

IES (Illuminating Engineering Society)

New Standard

BSR/IES LS-4-202x, Lighting Science: Measurement of Light: The Science of Photometry (new standard)

This Lighting Science (LS) document describes the various types of photometry and photometric instrumentation, including laboratory and field equipment and measurement types, and instructions for some types of field measurements. However, it does not provide instructions or methodology for performing laboratory tests. For that kind of information, the reader is referred to the IES Lighting Measurement (LM) series of documents.

Single copy price: \$25.00

Obtain an electronic copy from: pmcgillicuddy@ies.org

Order from: Patricia McGillicuddy, (917) 913-0027, pmcgillicuddy@ies.org

Send comments (with optional copy to psa@ansi.org) to: Same

BSR/IES LP-8-202x, Lighting Practice: The Commissioning Process Applied to Lighting and Control Systems (new standard)

This Lighting Practice (LP) document, developed by the Illuminating Engineering Society describes the technical requirements for commissioning lighting and control systems to achieve owner performance criteria in new construction. Retro-commissioning, or application of the Commissioning Process to an existing facility that has not previously been commissioned, is not specifically addressed in this document, although the same basic process can be applied.

Single copy price: \$25.00

Obtain an electronic copy from: pmcgillicuddy@ies.org

Order from: Patricia McGillicuddy, (917) 913-0027, pmcgillicuddy@ies.org

Send comments (with optional copy to psa@ansi.org) to: Same

BSR/IES LM-41-202x, Approved Method: Photometric Testing of Indoor Fluorescent Luminaires (new standard)

This guide is intended to provide uniform guidance useful for evaluating the performance of fluorescent luminaires for general lighting. Luminaire characteristics are to be reported in terms of intensity distribution, flux distribution and efficiency. These performance data may be developed into factors and/or tables that allow the predetermination of illuminance and luminance for any conventional plane or boundary surface.

Single copy price: \$25.00

Obtain an electronic copy from: pmcgillicuddy@ies.org

Order from: Patricia McGillicuddy, (917) 913-0027, pmcgillicuddy@ies.org

Send comments (with optional copy to psa@ansi.org) to: Same

BSR/IES LM-48-202x, Approved Method: Testing the Calibration of Locking-Type Photoelectric Control Devices Used in Outdoor Applications (new standard)

The objective of this Approved Method is to describe a procedure and test equipment by which photoelectric control devices can be tested to obtain accurate, optimally comparable data. The system aspects that need to be understood to calibrate light-sensitive control devices used in roadway and outdoor area lighting are covered. Although photo controls are often used in indoor applications, the method of testing the calibration described in this Approved Method is limited to photo controls used in outdoor applications.

Single copy price: \$25.00

Obtain an electronic copy from: pmcgillicuddy@ies.org

Order from: Patricia McGillicuddy, (917) 913-0027, pmcgillicuddy@ies.org

Send comments (with optional copy to psa@ansi.org) to: Same

BSR/IES LM-66-202x, Approved Method: Electrical and Photometric Measurements of Single-Based Fluorescent Lamps (new standard)

This Approved Method describes the procedures to be followed and the precautions to be observed in order to obtain uniform and reproducible measurements of the electrical and photometric characteristics of both integrated and non-integrated single-based compact fluorescent lamps, and integrated electrodeless lamps, under standard conditions in alternating current (AC) circuits (both line- and high-frequency).

Single copy price: \$25.00

Obtain an electronic copy from: pmcgillicuddy@ies.org

Order from: Patricia McGillicuddy, (917) 913-0027, pmcgillicuddy@ies.org

Send comments (with optional copy to psa@ansi.org) to: Same

BSR/IES LM-84-202x, Approved Method: Measuring Luminous, Radiant, and Photon Flux; and Color and Aspects of Spectral Maintenance of LED Lamps, Light Engines, and Luminaires (new standard)

This document provides the method for measurement of luminous, radiant, and photon flux maintenance; and color and aspects of spectral maintenance for integrated LED lamps, integrated; non-integrated LED lamps, non-integrated; LED light engines, LED luminaires, OLED light engines, and OLED Luminaires. The method describes the procedures to be followed and the precautions to be observed in obtaining and reproducing luminous flux and color maintenance measurements under standard operating conditions. This approved method does not provide guidance or recommendations regarding predictive estimations or extrapolation of lumen maintenance beyond the final measurement.

Single copy price: \$25.00

Obtain an electronic copy from: pmcgillicuddy@ies.org

Order from: Patricia McGillicuddy, (917) 913-0027, pmcgillicuddy@ies.org

Send comments (with optional copy to psa@ansi.org) to: Same

BSR/IES RP-9-202x, Recommended Practice: Lighting Hospitality Spaces (new standard)

Quality lighting is of the utmost importance to business travelers who work in their rooms and/or in the conference facilities. Effective, well-designed lighting will make their stay pleasurable and productive; entice them to return; and provide positive word-of-mouth references, which are excellent advertising. All these factors reinforce the brand and are critical to the success of the property.

Single copy price: \$25.00

Obtain an electronic copy from: pmcgillicuddy@ies.org

Order from: Patricia McGillicuddy, (917) 913-0027, pmcgillicuddy@ies.org

Send comments (with optional copy to psa@ansi.org) to: Same

BSR/IES RP-41-202x, Recommended Practice: Lighting Theatre and Auditorium Spaces (new standard)

Revise and update IES DG-20 Stage Lighting - A Guide to Planning of Theatres and Auditoriums. Add content for stage lighting controls, interfacing with networks, houselight design, control and performance including emergency lighting, stage worklight and cue light systems, LED and automated stage lighting instruments, power distribution for stage and houselighting systems, and future proofing systems.

Single copy price: \$25.00

Obtain an electronic copy from: pmcgillicuddy@ies.org

Order from: Patricia McGillicuddy, (917) 913-0027, pmcgillicuddy@ies.org

Send comments (with optional copy to psa@ansi.org) to: Same

IES (Illuminating Engineering Society)

Revision

BSR/IES RP-30-202x, Recommended Practice: Lighting Museums (revision of ANSI/IES RP-30-16)

The purpose of this document is to enhance the decision-making process by providing specific standards for satisfying the special requirements of museums and art galleries. Updated information is included on current lighting techniques and new lighting technology. Exhibition lighting is the focus of this document, though information relating to other museum and art gallery applications is also addressed. Lighting design guidance for museum shops, restaurants, and office spaces is provided in other IES Recommended Practice publications.

Single copy price: \$25.00

Obtain an electronic copy from: pmcgillicuddy@ies.org

Order from: Patricia McGillicuddy, (917) 913-0027, pmcgillicuddy@ies.org

Send comments (with optional copy to psa@ansi.org) to: Same

NEMA (ASC C136) (National Electrical Manufacturers Association)

Revision

BSR C136.35-202x, Locking Type Power Taps (LTPT) (revision of ANSI C136.35-2009 (R2014))

This standard covers the electrical and mechanical compatibility of electrical devices mounted into a locking-type photocontrol receptacle for the purpose of providing ancillary power to an external device. This standard does not cover the device being powered.

Single copy price: \$50.00

Obtain an electronic copy from: David.Richmond@nema.org

Order from: David Richmond, (703) 841-3234, David.Richmond@nema.org

Send comments (with optional copy to psa@ansi.org) to: Same

NEMA (ASC C136) (National Electrical Manufacturers Association)

Stabilized Maintenance

BSR C136.26-2010 (S202x), Troubleshooting Guide for High-Intensity Discharge (HID) Luminaires (stabilized maintenance of ANSI C136.26-2010 (R2015))

This troubleshooting guide is intended to help the service person quickly diagnose an HID luminaire with magnetic ballast and also ensure that the problem is fixed on the first attempt. This guide addresses the four commonly encountered problems in two manners: (1) Summary of possible actions for those needing only a checklist; and (2) A detailed report on possible actions for those needing additional information. The commonly encountered problems are: (a) Lamp on continuously, (b) Lamp cycles on and off, (c) Lamp will not start, and (d) Lamp burns dimly.

Single copy price: \$45.00

Obtain an electronic copy from: David.Richmond@nema.org

Order from: David Richmond, (703) 841-3234, David.Richmond@nema.org

Send comments (with optional copy to psa@ansi.org) to: Same

NEMA (ASC C82) (National Electrical Manufacturers Association)

Reaffirmation

BSR C82.6-2015 (R202x), Standard for Lamp Ballasts - Ballasts for High-Intensity Discharge Lamps - Methods of Measurement (reaffirmation of ANSI C82.6-2015)

This standard describes the procedures to be followed and the precautions to be taken in measuring performance of low-frequency ballasts (electromagnetic and electronic ballasts that operate at less than 400 Hz) for high-intensity discharge (HID) lamps. Deviations from the procedures given in this standard are permissible for production or other testing provided that the methods used give the results in substantial agreement with the method given in this standard. In case of doubt, reference shall be made to the specified methods to establish the validity of the results obtained by any alternate procedure.

Single copy price: \$300.00

Obtain an electronic copy from: michael.erbesfeld@nema.org

Order from: Michael Erbesfeld, (703) 841-3262, Michael.Erbesfeld@nema.org

Send comments (with optional copy to psa@ansi.org) to: Same

NEMA (ASC C82) (National Electrical Manufacturers Association)***Revision***

BSR C82.16-202x, Light Emitting Diode Drivers - Methods of Measurement (revision of ANSI C82.16-2015)

This standard describes the procedures to be followed and the precautions to be taken in measuring performance of LED drivers. The scope includes, but is not limited to, LED drivers with these characteristics: General lighting, exterior lighting, and roadway lighting applications; Input supply voltage up to 600 VDC or 600 VAC (50 or 60 Hz); Output open-circuit voltage of 600 V or less; Constant-current or constant-voltage direct current (DC) output; Fixed, variable (dimnable), pulse-width modulation, or programmable (tunable) output power; and External (standalone) or internal (enclosed in luminaire).

Single copy price: \$152.00

Obtain an electronic copy from: michael.erbesfeld@nema.org

Order from: Michael Erbesfeld, (703) 841-3262, Michael.Erbesfeld@nema.org

Send comments (with optional copy to psa@ansi.org) to: Same

NEMA (ASC C82) (National Electrical Manufacturers Association)***Stabilized Maintenance***

BSR C82.1-2004 (S202x), Standard for Lamp Ballast - Line Frequency Fluorescent Lamp Ballast (stabilized maintenance of ANSI C82.1-2004 (R2015))

This standard is intended to cover ballasts which have rated open circuit voltages of 2000 volts or less and are intended to operate lamps at a frequency of 50 Hz or 60 Hz. This comprises ballasts for hot cathode fluorescent lamps, either switch start (preheat start), rapid start (continuously heated cathodes), modified rapid start (cathode cutout), or instant start, and also ballasts for cold cathode fluorescent lamps, used primarily for lighting purposes, which come within this voltage range. The ballast and lamp combinations covered by this specification normally are intended for use in room ambient temperatures of 10°C to 40°C. At ambient temperatures outside this range, certain special operating characteristics may be required.

Single copy price: \$85.00

Obtain an electronic copy from: michael.erbesfeld@nema.org

Order from: Michael Erbesfeld, (703) 841-3262, Michael.Erbesfeld@nema.org

Send comments (with optional copy to psa@ansi.org) to: Same

NFPA (National Fire Protection Association)

The National Fire Protection Association announces the availability of NFPA Second Draft Report for concurrent review and comment by NFPA and ANSI. The disposition of all comments received are published in the Second Draft Report, located on the document's information page under the next edition tab. The document's specific URL, www.nfpa.org/doc#next (for example www.nfpa.org/101next), can easily access the document's information page. All Notices of Intent to Make A Motion on the 2020 Annual Revision Cycle Second Draft Report must be received by the following date: **February 19, 2020**.

For more information on the rules and for up-to-date information on schedules and deadlines for processing NFPA Documents, check the NFPA website (<http://www.nfpa.org>) or contact NFPA's Codes and Standards Administration. Those who sent comments to NFPA (Contact Codes and Standards Administration, NFPA, One Batterymarch Park, Quincy, MA 02269-7471) on the related standards are invited to copy ANSI's Board of Standards Review.

Revision

BSR/NFPA 54-202x, National Fuel Gas Code (revision of ANSI/NFPA 54-2018)

This code is a safety code that shall apply to the installation of fuel gas piping systems, appliances, equipment, and related accessories as shown in (A) through (D). (A) Coverage of piping systems shall extend from the point of delivery to the appliance connections. For other than undiluted liquefied petroleum gas (LP-Gas) systems, the point of delivery shall be the outlet of the service meter assembly or the outlet of the service regulator or service shutoff valve where no meter is provided. For undiluted LP-Gas systems, the point of delivery shall be considered to be the outlet of the final pressure regulator, exclusive of line gas regulators where no meter is installed. Where a meter is installed, the point of delivery shall be the outlet of the meter. A.1.1.1.1(A) The final pressure regulator in an undiluted liquefied petroleum gas (LP-Gas) system can include any one of the following: (1) The second-stage regulator or integral two-stage regulator, (2) A2 psi (14 kPa) service regulator or integral 2 psi (14 kPa) service regulator, and (3) A single-stage regulator, where single-stage systems are permitted by NFPA 58, Liquefied Petroleum Gas Code. (B) The maximum operating pressure shall be 125 psi (862 kPa). Exception No. 1: Piping systems for gas-air mixtures within the flammable range are limited to a maximum pressure of 10 psi (69 kPa). Exception No. 2: LP-Gas piping systems are limited to 20 psi (140 kPa), except as provided in 5.5.1(6). (C) Requirements for piping systems shall include design, materials, components, fabrication, assembly, installation, testing, inspection, operation, and maintenance. (D) Requirements for appliances, equipment, and related accessories shall include installation, combustion, and ventilation air and venting. This code shall not apply to the following items (reference standards for some of which appear in Annex K): (1) Portable LP-Gas appliances and equipment of all types that are not connected to a fixed fuel piping system; (2) Installation of appliances such as brooders, dehydrators, dryers, and irrigation equipment used for agricultural purposes; (3) Raw material (feedstock) applications except for piping to special atmosphere generators; (4) Oxygen-fuel gas cutting and welding systems; (5) Industrial gas applications using such gases as acetylene and acetylenic compounds, hydrogen, ammonia, carbon monoxide, oxygen, and nitrogen; (6) Petroleum refineries, pipeline compressor or pumping stations, loading terminals, compounding plants, refinery tank farms, and natural gas processing plants; (7) Large integrated chemical plants or portions of such plants where flammable or combustible liquids or gases are produced by chemical reactions or used in chemical reactions; (8) LP-Gas installations at utility gas plants; (9) Liquefied natural gas (LNG) installations; (10) Fuel gas piping in electric utility power plants; (11) Proprietary items of equipment, apparatus, or instruments such as gas generating sets, compressors, and calorimeters; (12) LP-Gas equipment for vaporization, gas mixing, and gas manufacturing; (13) LP-Gas piping for buildings under construction or renovations that is not to become part of the permanent building piping system—that is, temporary fixed piping for building heat; (14) Installation of LP-Gas systems for railroad switch heating; (15) Installation of LP-Gas and compressed natural gas (CNG) systems on vehicles; (16) Gas piping, meters, gas pressure regulators, and other appurtenances used by the serving gas supplier in distribution of gas, other than undiluted LP-Gas; (17) Building design and construction, except as specified in this standard; (18) Fuel gas systems on recreational vehicles manufactured in accordance with NFPA 1192, Standard on Recreational Vehicles; (19) Fuel gas systems using hydrogen as a fuel; and (20) Construction of appliances. In applying this code, reference shall also be made to the manufacturers' instructions and the serving gas supplier regulations.

Obtain an electronic copy from: www.nfpa.org/54Next

Send comments (with optional copy to psa@ansi.org) to: www.nfpa.org/54Next

NFPA (National Fire Protection Association)

Revision

BSR/NFPA 59-202x, Utility LP-Gas Plant Code (revision of ANSI/NFPA 59-2018)

This code shall apply to the design, construction, location, installation, operation, and maintenance of refrigerated and nonrefrigerated utility gas plants including LP-gas containers, piping, and associated process equipment, and controls and fire protection. Coverage begins at: (1) The point of transfer when delivery is by cargo tank vehicle or railcar, (2) The liquid inlet isolation valve located downstream of hazardous liquid pipeline under the jurisdiction of 49 CFR part 195, and (3) Coverage shall extend to the point where LP-Gas vapor or a mixture of LP-Gas vapor and air is introduced into the utility distribution system under the jurisdiction of 49 CFR Part 192. Installations that have an aggregate water capacity of 4000 gal (15.14 m³) or less shall conform to NFPA 58, Liquefied Petroleum Gas Code.

Obtain an electronic copy from: www.nfpa.org/59Next

Send comments (with optional copy to psa@ansi.org) to: www.nfpa.org/59Next

BSR/NFPA 70E-202x, Standard for Electrical Safety in the Workplace® (revision of ANSI/NFPA 70E-2018)

This standard addresses electrical safety-related work practices, safety-related maintenance requirements, and other administrative controls for employee workplaces that are necessary for the practical safeguarding of employees relative to the hazards associated with electrical energy during activities such as the installation, inspection, operation, maintenance, and demolition of electric conductors, electric equipment, signaling and communications conductors and equipment, and raceways. This standard also includes safe work practices for employees performing other work activities that can expose them to electrical hazards as well as safe work practices for the following: (1) Installation of conductors and equipment that connect to the supply of electricity; (2) Installations used by the electric utility, such as office buildings, warehouses, garages, machine shops, and recreational buildings that are not an integral part of a generating plant, substation, or control center. Informational Note: This standard addresses safety of workers whose job responsibilities entail interaction with electrical equipment and systems with potential exposure to energized electrical equipment and circuit parts. Concepts in this standard are often adapted to other workers whose exposure to electrical hazards is unintentional or not recognized as part of their job responsibilities. The highest risk for injury from electrical hazards for other workers involve unintentional contact with overhead power lines and electric shock from machines, tools, and appliances.

Obtain an electronic copy from: www.nfpa.org/70eNext

Send comments (with optional copy to psa@ansi.org) to: www.nfpa.org/70eNext

BSR/NFPA 99-202x, Health Care Facilities Code (revision of ANSI/NFPA 99-2018)

1.1.1 The scope of this code is to establish minimum criteria as follows in 1.1.2 through 1.1.13. 1.1.2 Fundamentals. Chapter 4 establishes criteria for levels of health care services or systems based on risk to the patients, staff, or visitors in health care facilities. 1.1.3 Gas and Vacuum Systems. 1.1.3.1 Chapter 5 covers the performance, maintenance, installation, and testing of the following: (1) Nonflammable medical gas systems with operating pressures below a gauge pressure of 2068 kPa (300 psi); (2) Vacuum systems in health care facilities; (3) Waste anesthetic gas disposal (WAGD) systems, also referred to as scavenging; and (4) Manufactured assemblies that are intended for connection to the medical gas, vacuum, or WAGD systems (also referred to as scavenging). 1.1.3.2 Requirements for portable compressed gas systems are covered in Chapter 11. 1.1.4 Electrical Systems. 1.1.4.1 Chapter 6 covers the performance, maintenance, and testing of electrical systems (both normal and essential) in health care facilities. 1.1.4.2 The following areas are not addressed in this code, but are addressed in other NFPA documents: (1) Specific requirements for wiring and installation of equipment are covered in NFPA 70, National Electrical Code; (2) Requirements for illumination and identification of means of egress in health care facilities are covered in NFPA 101, Life Safety Code; (3) Requirements for installation, testing, and maintenance of fire protection signaling systems are covered in NFPA 72, National Fire Alarm and Signaling Code; (4) Requirements for installation of fire pumps are covered in NFPA 20, Standard for the Installation of Stationary Pumps for Fire Protection, except that the alternate source of power are permitted to be the essential electrical system; and (5) Requirements for installation of stationary engines and gas turbines are covered in NFPA 37, Standard for the Installation and Use of Stationary Combustion Engines and Gas Turbines. 1.1.5 Information Technology and Communications Systems. Chapter 7 covers the performance, maintenance, and testing of information technology and communications systems in health care facilities. 1.1.6 Plumbing. Chapter 8 covers the performance, maintenance, and testing of plumbing systems in health care facilities. 1.1.7 HVAC Systems. Chapter 9 covers the performance, maintenance, and testing of heating, cooling, and ventilating in health care facilities. 1.1.8 Electrical Equipment. Chapter 10 covers the performance, maintenance, and testing of electrical equipment in health care facilities. 1.1.9 Gas Equipment. Chapter 11 covers the performance, maintenance, and testing of gas equipment in health care facilities. 1.1.10 Emergency Management. Chapter 12 establishes criteria for emergency management in the development of a program for effective disaster preparedness, response, mitigation, and recovery in health care facilities. A.1.1.10 Because no single model of an emergency management plan is feasible for every health care facility, this chapter is intended to provide criteria for the preparation and implementation of an individual plan. The principles involved are universally applicable; the implementation needs to be tailored to the specific facility. 1.1.11 Security Management. Chapter 13 covers the performance, maintenance, and testing of security equipment and systems in health care facilities. 1.1.12 Hyperbaric Facilities. Chapter 14 covers the recognition of, and protection against, hazards of an electrical, explosive, or implosive nature, as well as fire hazards associated with hyperbaric chambers and associated facilities that are used, or intended to be used, for medical applications and experimental procedures at gauge pressures from 0 kPa to 690 kPa (0 psi to 100 psi). A.1.1.12 During the past 20 years, there has been a widespread interest in the use of oxygen at elevated environmental pressure to increase the partial pressure of oxygen in a patient's tissues in order to treat certain medical conditions or to prepare a patient for surgery. These techniques are also employed widely for the treatment of decompression sickness (e.g., bends, caisson worker's disease) and carbon monoxide poisoning. Recently, however, the level of knowledge and expertise has increased so dramatically that the codes are in need of updating. By the end of 1988, there were 218 hyperbaric facilities in operation in the United States and Canada. These facilities supported hyperbaric medical treatments for 62,548 patients between 1971 and 1987. As these facilities provide therapy for disorders indicated for treatment, these numbers will continue to increase. As the number of facilities increases, the number of patients treated will also increase. Such treatment involves placement of the patient, with or without attendants, in a hyperbaric chamber or pressure vessel, the pressure of which is raised above ambient pressure. In the course of the treatment, the patient breathes up to 100 percent oxygen. In addition to being used for patient care, these chambers also are being employed for research purposes using experimental animals and, in some instances, humans. The partial pressure of oxygen present in a gaseous mixture is the determinate factor in the amount of available oxygen. This pressure will rise if the volume percentage of oxygen present increases, if the total pressure of a given gas mixture containing oxygen increases, or if both these factors increase. Because the sole purpose of the hyperbaric technique of treatment is to raise the total pressure within the treatment chamber, an increased partial pressure of oxygen always is available during treatment, unless positive means are taken to limit the oxygen content. In addition, the patient is often given an oxygen-enriched atmosphere to breathe. The need for human diligence in the establishment, operation, and maintenance of hyperbaric facilities is continual. The chief administrator of the facility possessing the hyperbaric chamber is responsible to adopt and enforce appropriate regulations for hyperbaric facilities. In formulating and administering the program, full use should be made of technical personnel highly qualified in hyperbaric chamber operations and safety. It is essential that personnel having responsibility for the hyperbaric facility establish and enforce appropriate programs to fulfill the provisions of Chapter 14. Potential hazards can be controlled only when continually recognized and understood by all pertinent personnel. The purpose of Chapter 14 is to set forth minimum safeguards for the protection of patients or others subject to, and personnel who administer, hyperbaric therapy and experimental procedures. Its purpose is also to offer some guidance for rescue personnel who are not ordinarily involved in hyperbaric chamber operation, but who could become so involved in an emergency. Requirements cited in 1.1.12 are minimum requirements. Discretion on the part of chamber operators and others might dictate the establishment of more stringent regulations. 1.1.13 Features of Fire Protection. Chapter 15 covers the performance, maintenance, and testing of fire protection equipment in health care facilities.

Obtain an electronic copy from: www.nfpa.org/99Next

Send comments (with optional copy to psa@ansi.org) to: www.nfpa.org/99Next

BSR/NFPA 1192-202x, Standard on Recreational Vehicles (revision of ANSI/NFPA 1192-2018)

This standard shall cover fire and life safety criteria for recreational vehicles. Those members of the engineering profession and others associated with the design, manufacturing, and inspection of recreational vehicles have been aware of the need for uniform technical standards leading to the proper use of this special type of equipment. They also have recognized that, because of conditions of transport, size, and use, existing standards for motor vehicles or permanent buildings are not completely applicable to recreational vehicles. It is with these factors in mind that this standard has been developed. Much of the material in this standard has been taken from or is based on nationally recognized standards for fire and life safety. Applicable standards are shown in Chapter 2.

Obtain an electronic copy from: www.nfpa.org/1192Next

Send comments (with optional copy to psa@ansi.org) to: Same

SCTE (Society of Cable Telecommunications Engineers)

Revision

BSR/SCTE 101-202x, Hard Line Splice Connector Return Loss (revision of ANSI/SCTE 101-2011)

This document describes a procedure to measure the Return Loss characteristics of a single Hard Line Splice Connector interfaced between two (2) Hard Line cables. It implements the time domain-gating features of the network analyzers, which removes the interfaces, and far-end termination from the DUT (device under test) measurement.

Single copy price: \$50.00

Obtain an electronic copy from: admin@standards.scte.org

Order from: Global Engineering Documents, (800) 854-7179, www.global.ihs.com

Send comments (with optional copy to psa@ansi.org) to: admin@standards.scte.org

UL (Underwriters Laboratories, Inc.)

Reaffirmation

BSR/UL 961-2014 (R202x), Standard for Safety for Electric Hobby and Sports Equipment (reaffirmation of ANSI/UL 961-2014)

Reaffirmation and continuance of the fifth edition of the Standard for Electric Hobby and Sports Equipment, UL 961, as an American National Standard.

Single copy price: Free

Obtain an electronic copy from: <https://csds.ul.com/Home/ProposalsDefault.aspx>

Order from: <http://www.shopulstandards.com>

Send comments (with optional copy to psa@ansi.org) to: Follow the instructions in the following website to enter comments into the CSDS Work Area: <https://csds.ul.com/Home/ProposalsDefault.aspx>

BSR/UL 3703-2015a (R202x), Standard for Safety for Solar Trackers (reaffirmation of ANSI/UL 3703-2015a)

(1) Reaffirmation and continuance of the first edition of the Standard for Solar Trackers, UL 3703, as an American National Standard.

Single copy price: Free

Obtain an electronic copy from: <https://csds.ul.com/Home/ProposalsDefault.aspx>

Order from: <http://www.shopulstandards.com>

Send comments (with optional copy to psa@ansi.org) to: Follow the instructions in the following website to enter comments into the CSDS Work Area: <https://csds.ul.com/Home/ProposalsDefault.aspx>

BSR/UL 60079-25-2011 (R202x), Standard for Safety for Explosive Atmospheres - Part 25: Intrinsically Safe Electrical Systems (reaffirmation of ANSI/UL 60079-25-2011 (R2015))

Reaffirmation and continuance of the second edition of the Standard for Safety for Explosive Atmospheres - Part 25: Intrinsically Safe Electrical Systems, UL 60079-25, as an American National Standard.

Single copy price: Free

Obtain an electronic copy from: <https://csds.ul.com/Home/ProposalsDefault.aspx>

Order from: <http://www.shopulstandards.com>

Send comments (with optional copy to psa@ansi.org) to: Follow the instructions in the following website to enter comments into the CSDS Work Area: <https://csds.ul.com/Home/ProposalsDefault.aspx>

VITA (VMEbus International Trade Association (VITA))

New Standard

BSR/VITA 68.2-202x, VPX Standard S-Parameter Definition (new standard)

VITA 68.2 is a dot standard based off of VITA 68 family of standards for signal integrity compliance of VPX systems and components. VITA 68.2 leverages [VITA 68.0]S-parameter definition and expands upon how the S-parameters are formatted and named to help system integrators easily take multiple vendor S-parameters, concatenate them together to analyze an entire channel from one Plug-In Module to another Plug-In Module.

Single copy price: \$25.00

Obtain an electronic copy from: admin@vita.com

Send comments (with optional copy to psa@ansi.org) to: admin@vita.com

Comment Deadline: March 24, 2020

Reaffirmations and withdrawals available electronically may be accessed at: webstore.ansi.org

ASME (American Society of Mechanical Engineers)

Reaffirmation

BSR/ASME B1.13M-2005 (R202x), Metric Screw Threads: M Profile (reaffirmation of ANSI/ASME B1.13M-2005 (R2015))

This Standard contains general metric standards for a 60 deg symmetrical screw thread with a basic ISO 68-1 profile designated M profile.

Single copy price: \$72.00

Obtain an electronic copy from: <http://cstools.asme.org/publicreview>

Order from: For Reaffirmations and Withdrawn standards please view our catalog at <https://www.asme.org/shop/standards>

Send comments (with optional copy to psa@ansi.org) to: Daniel Papert, (212) 591-7526, papertd@asme.org

ITI (INCITS) (InterNational Committee for Information Technology Standards)

Withdrawal

INCITS/ISO/IEC 5138-1:1978 [S2009], Information technology - Office Machines - Office Machines - Vocabulary - Part 01: Dictation Equipment (withdrawal of INCITS/ISO 5138-1-1978 [S2009])

Included bilingual vocabulary serves for facilitating international communication in the field of office machines. Establishes reference between entries. Covers vocabulary of dictation machines.

Single copy price: \$60.00

Obtain an electronic copy from: <http://webstore.ansi.org/>

Order from: <http://webstore.ansi.org/>

Send comments (with optional copy to psa@ansi.org) to: comments@standards.incits.org

UL (Underwriters Laboratories, Inc.)

Revision

BSR/UL 125-202x, Flow Control Valves for Anhydrous Ammonia and LP-Gas (revision of ANSI/UL 125-2018)

The following is being proposed: Joint Standard for Flow Control Valves for Anhydrous Ammonia and LP-Gas, Bi-National standard for UL/ULC 125, using UL 125 and ULC-ORD C125.

Single copy price: Free

Obtain an electronic copy from: <https://csds.ul.com/Home/ProposalsDefault.aspx>

Order from: <http://www.shopulstandards.com>

Send comments (with optional copy to psa@ansi.org) to: Follow the instructions in the following website to enter comments into the CSDS Work Area: <https://csds.ul.com/Home/ProposalsDefault.aspx>

Call for Members (ANS Consensus Bodies)

Directly and materially affected parties who are interested in participating as a member of an ANS consensus body for the standards listed below are requested to contact the sponsoring standards developer directly and in a timely manner.

AAMI (Association for the Advancement of Medical Instrumentation)

Contact: Jennifer Moyer
Phone: (703) 253-8274
E-mail: jmoyer@aami.org
Office: 901 N. Glebe Road, Suite 300
 Arlington, VA 22203

BSR/AAMI NS28-1988 (R202x), Intracranial pressure monitoring devices (reaffirmation of ANSI/AAMI NS28-1988 (R2015))

AMCA (Air Movement and Control Association)

Contact: Shruti Kohli-Bhargava
Phone: (847) 704-6285
E-mail: shrutik@amca.org
Office: 30 West University Drive
 Arlington Heights, IL 60004-1893

BSR/AMCA 340-202x, Laboratory Method of Sound Testing of Large-Diameter Ceiling Fans (new standard)

AWPA (ASC O5) (American Wood Protection Association)

Contact: Colin McCown
Phone: (205) 733-4077
E-mail: colin@awpa.com
Office: P.O. Box 361784
 Birmingham, AL 35236-1784

BSR O5.3-202x, Solid Sawn Wood Crossarms and Braces - Specifications and Dimensions (revision of ANSI O5.3-2015)

ECIA (Electronic Components Industry Association)

Contact: Laura Donohoe
Phone: (571) 323-0294
E-mail: ldonohoe@ecianow.org
Office: 13873 Park Center Road
 Suite 315
 Herndon, VA 20171

BSR/EIA 364-05C-202x, Contact Insertion, Release and Removal Force Test Procedure for Electrical Connectors (revision and redesignation of ANSI/EIA 364-05B-2009 (R2015))

ICC (International Code Council)

Contact: Karl Aittaniemi
Phone: (888) 422-7233
E-mail: kaittaniemi@iccsafe.org
Office: 4051 Flossmoor Road
 Country Club Hills, IL 60478

BSR/ICC 1300-202x, Standard for the Vulnerability-Based Seismic Assessment and Retrofit of One- and Two-Family Dwellings (new standard)

IES (Illuminating Engineering Society)

Contact: Patricia McGillicuddy
Phone: (917) 913-0027
E-mail: pmcgillicuddy@ies.org
Office: 120 Wall Street, Floor 17
 New York, NY 10005

BSR/IES LS-4-202x, Lighting Science: Measurement of Light: The Science of Photometry (new standard)

BSR/IES LP-8-202x, Lighting Practice: The Commissioning Process Applied to Lighting and Control Systems (new standard)

BSR/IES LM-41-202x, Approved Method: Photometric Testing of Indoor Fluorescent Luminaires (new standard)

BSR/IES LM-48-202x, Approved Method: Testing the Calibration of Locking-Type Photoelectric Control Devices Used in Outdoor Applications (new standard)

BSR/IES LM-66-202x, Approved Method: Electrical and Photometric Measurements of Single-Based Fluorescent Lamps (new standard)

BSR/IES LM-84-202x, Approved Method: Measuring Luminous, Radiant, and Photon Flux; and Color and Aspects of Spectral Maintenance of LED Lamps, Light Engines, and Luminaires (new standard)

BSR/IES RP-4-202x, Recommended Practice: Lighting Library Spaces (new standard)

BSR/IES RP-9-202x, Recommended Practice: Lighting Hospitality Spaces (new standard)

BSR/IES RP-30-202x, Recommended Practice: Lighting Museums (revision of ANSI/IES RP-30-16)

BSR/IES RP-41-202x, Recommended Practice: Lighting Theatre and Auditorium Spaces (new standard)

ITI (INCITS) (InterNational Committee for Information Technology Standards)

Contact: Deborah Spittle
Phone: (202) 737-8888
E-mail: comments@standards.incits.org
Office: 700 K Street NW
Suite 600
Washington, DC 20001

INCITS/ISO/IEC 5138-1:1978 [S2009], Information technology - Office Machines - Office Machines - Vocabulary - Part 01: Dictation Equipment (withdrawal of INCITS/ISO 5138-1-1978 [S2009])

NEMA (ASC C136) (National Electrical Manufacturers Association)

Contact: David Richmond
Phone: (703) 841-3234
E-mail: David.Richmond@nema.org
Office: 1300 North 17th Street
Suite 900
Rosslyn, VA 22209

BSR C136.26-2010 (S202x), Troubleshooting Guide for High-Intensity Discharge (HID) Luminaires (stabilized maintenance of ANSI C136.26-2010 (R2015))

BSR C136.35-202x, Locking Type Power Taps (LTPT) (revision of ANSI C136.35-2009 (R2014))

NISO (National Information Standards Organization)

Contact: Nettie Lagace
Phone: (301) 654-2512
E-mail: nlagace@niso.org
Office: 3600 Clipper Mill Road
Suite 302
Baltimore, MD 21211

BSR/NISO Z39.104-202x, Contributor Roles Taxonomy (CRediT) (new standard)

NSF (NSF International)

Contact: Jason Snider
Phone: (734) 418-6660
E-mail: jsnider@nsf.org
Office: 789 N. Dixboro Road
Ann Arbor, MI 48105-9723

BSR/NSF/AWWA 375-202x (i2r1), Sustainability Assessment for Water Contact Products (revision and redesignation of ANSI/NSF 375-2016)

UL (Underwriters Laboratories, Inc.)

Contact: Griff Edwards
Phone: (919) 549-0956
E-mail: griff.edwards@ul.org
Office: 12 Laboratory Drive
Research Triangle Park, NC 27709-3995

BSR/UL 2218-202x, Standard for Impact Resistance of Prepared Roof Covering Materials (revision of ANSI/UL 2218-2012 (R2018))

VITA (VMEbus International Trade Association (VITA))

Contact: Jing Kwok
Phone: (602) 281-4497
E-mail: jing.kwok@vita.com
Office: 929 W. Portobello Avenue
Mesa, AZ 85210

BSR/VITA 68.2-202x, VPX Standard S-Parameter Definition (new standard)

Call for Members (ANS Consensus Bodies)

National Council for Prescription Drug Programs (NCPDP)

Enrollment in the 2020 Consensus Group opens Monday, January 13, 2020 and closes on Friday, February 14, 2020 at 8:00 p.m. Eastern Time. Information concerning the Consensus Group registration process is available by contacting:

Kitty Krempin

National Council for Prescription Drug Programs

9240 East Raintree Drive

Scottsdale, AZ 85260

Phone: (480) 296-4584

E-mail: kkrempin@ncdpd.org

Standards:

Audit Transaction Standard – supports an electronic audit transaction that facilitates requests, responses, and final outcomes transmissions for both “Desk Top” claim audits and for in-store audit notices.

Batch Standard Subrogation - provides a uniform approach to efficiently process post-payment subrogation claims and eliminate the numerous custom formats used in the industry today.

Benefit Integration Standard - supports the communication of accumulator data (such as deductible and out of pocket) between Benefit Partners to administer integrated benefits for a member.

Billing Unit Standard - provides a consistent and well-defined billing unit for use in pharmacy transactions. This results in time savings and accuracy in billing and reimbursement.

Financial Information Reporting Standard – provides a process whereby financial information is moved from one PBM to another when a patient changes benefit plans.

Formulary and Benefit Standard – provides a standard means for pharmacy benefit payers (including health plans and Pharmacy Benefit Managers) to communicate formulary and benefit information to prescribers via technology vendor systems.

Manufacturer Rebate Standard – provides a standardized format for the electronic submission of rebate information from Pharmacy Management Organizations (PMOs) to Pharmaceutical Industry Contracting Organizations (PICOs).

Medicaid Subrogation Standard – provides guidelines for the process whereby a Medicaid agency can communicate to a processor for reimbursement. The state has reimbursed the pharmacy provider for covered services and now is pursuing reimbursement from other payers for these services.

Medical Rebates Data Submission Standard – provides a standardized format for health plans' rebate submissions to multiple manufacturers throughout the industry. Implementation of the medical also eliminates the need for manufacturers to create internal mapping processes to standardize unique data formats from each health plan or third party administrator.

Post Adjudication Standard – provides a format for supplying detailed drug or utilization claim information after the claim has been adjudicated.

Prescription Drug Monitoring Programs (PDMP) Reporting Standard – developed to report controlled substance and other required drug information to assist healthcare providers to deter prescription drug abuse to ensure access for patients with valid medical needs.

Prescription Transfer Standard – developed to create file formats for the purpose of electronically transferring prescriptions between pharmacies.

Prior Authorization Transfer Standard – developed to define the file format and correct usage for electronically transferring existing prior authorization data between payer/processors when transitioning clients, performing system database or platform changes, or other scenarios where an existing prior authorization record is stored in one location and needs to be moved to another.

Product Identifiers Standard – developed to provide a standard for consistent formatting and utilization of product identifiers in healthcare and to provide clarification for maintenance of these specific product identifiers.

Real-Time Prescription Benefit Standard – developed a real-time pharmacy benefit inquiry from a provider EMR application to: leverage pharmacy industry standards and technology infrastructure, to deliver an accurate, pharmacy specific, “Patient Pay Amount” for a proposed medication and quantity and to collaboratively align stakeholders.

Retiree Drug Subsidy Standard – developed to assist in the automation of summarized drug cost and related data transfer from one processor/pharmacy benefit manager to another processor/ pharmacy benefit manager for continuation of the CMS Retiree Drug Subsidy (RDS) cost data reporting by the receiving entity.

SCRIPT Standard – developed for transmitting prescription information electronically between prescribers, providers, and other entities.

Specialized Standard – developed for transmitting information electronically between prescribers, providers, and other entities. The standard addresses the electronic transmission of census information about a patient between a facility and a pharmacy, medication therapy management transactions between providers, payers, pharmacies, and other entities. It will include other transactions for electronic exchanges between these entities in the future.

Specialty Pharmacy Data Reporting Standard - provides a standardized format for the data submitted by specialty pharmacy to drug manufacturers/others to support programs and agreements between the parties.

State Medicaid Provider File Standard - developed a standard by which state Medicaid agencies or other entities could communicate their provider data with the MCOs/PBMs in a consistent and streamlined manner.

Telecommunication Standard – developed a standardized format for electronic communication of claims and other transactions between pharmacy providers, insurance carriers, third-party administrators, and other responsible parties.

Uniform Healthcare Payer Data Standard – developed a standard format for pharmacy claim data to support the reporting requirements of claim data to states or their designees.

Call for Members (ANS Consensus Bodies)

Call for Committee Members

ASC O1 – Safety Requirements for Woodworking Machinery

Are you interested in contributing to the development and maintenance of valuable industry safety standards? The ASC O1 is currently looking for members in the following categories:

- General Interest
- Government
- Producer
- User

If you are interested in joining the ASC O1, contact WMMA Associate Director Jennifer Miller at jennifer@wmma.org.

Final Actions on American National Standards

The standards actions listed below have been approved by the ANSI Board of Standards Review (BSR) or by an ANSI-Audited Designator, as applicable.

AAMI (Association for the Advancement of Medical Instrumentation)

Revision

ANSI/AAMI RD47-2020, Reprocessing of hemodialyzers (revision of ANSI/AAMI RD47-2008 (R2013)): 1/16/2020

API (American Petroleum Institute)

Reaffirmation

ANSI/API MPMS Chapter 7.5/ISWO 8310-2012 (R2020), Automatic Tank Temperature Measurement Onboard Marine Vessels Carrying Refrigerated Hydrocarbon and Chemical Gas Fluids (reaffirm a national adoption ANSI/API MPMS Chapter 7.5, 1st Edition-2014): 1/21/2020

ASME (American Society of Mechanical Engineers)

Revision

ANSI/ASME B107.100-2020, Flat Wrenches (revision of ANSI/ASME B107.100-2010): 1/21/2020

ANSI/ASME B107.500-2020, Pliers (revision of ANSI/ASME B107.500-2010): 1/21/2020

ASTM (ASTM International)

Revision

ANSI/ASTM E3006-2020, Practice for Ultraviolet Conditioning of Photovoltaic Modules or Mini-Modules Using a Fluorescent Ultraviolet (UV) Lamp Apparatus (revision of ANSI/ASTM E3006-2018): 1/15/2020

ECIA (Electronic Components Industry Association)

Reaffirmation

ANSI/EIA 364-16A-2009 (R2020), Stripping Force Test (Solderless Wrapped Connectors) Test Procedure for Electrical Connectors (reaffirmation of ANSI/EIA 364-16A-2009 (R2015)): 1/17/2020

ANSI/EIA 364-19A-2008 (R2020), Torsional Insert Retention Test Procedure for Electrical Connectors (reaffirmation of ANSI/EIA 364-19A-2008 (R2015)): 1/17/2020

ANSI/EIA 364-24B-2009 (R2020), Maintenance Aging Test Procedure for Electrical Connectors (reaffirmation of ANSI/EIA 364-24B-2009 (R2015)): 1/17/2020

ANSI/EIA 364-30A-2009 (R2020), Capacitance Test Procedure for Electrical Connectors and Sockets (reaffirmation of ANSI/EIA 364-30A-2009 (R2015)): 1/17/2020

ANSI/EIA 364-33A-2009 (R2020), Inductance Measurement Test Procedure for Electrical Connectors (100 nH-100 mH) (reaffirmation of ANSI/EIA 364-33A-2009 (R2015)): 1/17/2020

ANSI/EIA 364-37C-2009 (R2020), Contact Engagement and Separation Test Procedure for Electrical Connectors (reaffirmation of ANSI/EIA 364-37C-2009 (R2015)): 1/17/2020

ANSI/EIA 364-40B-2009 (R2020), Crush Test Procedure for Electrical Connectors (reaffirmation of ANSI/EIA 364-40B-2009 (R2015)): 1/17/2020

ANSI/EIA 364-44A-2009 (R2020), Corona Test Procedure for Electrical Connectors (reaffirmation of ANSI/EIA 364-44A-2009 (R2015)): 1/17/2020

ANSI/EIA 364-71C-2008 (R2020), Solder Wicking (Wave Solder Technique) for Electrical Connectors and Sockets (reaffirmation of ANSI/EIA 364-71C-2008 (R2014)): 1/17/2020

ANSI/EIA 364-92-1997 (R2020), Wire Bending Test Procedure for Insulation Displacement Contacts (IDC) for Electrical Connectors (reaffirmation of ANSI/EIA 364-92-1997 (R2014)): 1/17/2020

ANSI/EIA 364-105B-2015 (R2020), Altitude - Low Temperature Test Procedure for Electrical Connectors and Sockets (reaffirmation of ANSI/EIA 364-105B-2015): 1/17/2020

HL7 (Health Level Seven)

New Standard

ANSI/HL7 NMN R1-2020, HL7 Cross-Paradigm Specification: FHIRPath, Release 1 (new standard): 1/16/2020

IES (Illuminating Engineering Society)

Addenda

ANSI/IES RP-8 Addendum 1-202x, Recommended Practice for Design and Maintenance of Roadway and Parking Facility Lighting (addenda to ANSI/IES RP-8-2018): 1/16/2020

NEMA (ASC C78) (National Electrical Manufacturers Association)

Reaffirmation

* ANSI C78.79-2014 (R2020), Electric Lamps - Nomenclature for Envelope Shapes Intended for use with Electric Lamps (reaffirmation of ANSI C78.79-2014): 1/17/2020

* ANSI C78.375A-2014 (R2020), Electric Lamps: Fluorescent Lamps - Guide for Electrical Measures (reaffirmation of ANSI C78.375A-2014): 1/17/2020

SIMA (Snow and Ice Management Association)

New Standard

ANSI/SIMA 10-2020, Standard Practice for Procuring and Planning Snow and Ice Management Services (new standard): 1/15/2020

UL (Underwriters Laboratories, Inc.)

Reaffirmation

ANSI/UL 482-2005 (R2020), Standard for Safety for Portable Sun/Heat Lamps
(reaffirmation of ANSI/UL 482-2005 (R2014)): 1/16/2020

Revision

ANSI/UL 132-2020, Standard for Safety for Safety Relief Valves for Anhydrous
Ammonia and LP-Gas (revision of ANSI/UL 132-2015): 1/16/2020

ANSI/UL 207-2020, Standard for Safety for Refrigerant-Containing
Components and Accessories, Nonelectrical (revision of ANSI/UL 207
-2014): 1/21/2020

ANSI/UL 498-2020, Standard for Safety for Attachment Plugs and Receptacles
(revision of ANSI/UL 498-2019): 1/17/2020

ANSI/UL 746B-2020, Standard for Safety for Polymeric Materials - Long Term
Property Evaluations (revision of ANSI/UL 746B-2019): 1/17/2020

ANSI/UL 62841-2-11-2020, Standard for Safety for Electric Motor-Operated
Hand-Held Tools, Transportable Tools and Lawn and Garden Machinery -
Safety - Part 2-11: Particular Requirements for Hand-Held Reciprocating
Saws (revision of ANSI/UL 62841-2-11-2017): 1/10/2020

Project Initiation Notification System (PINS)

ANSI Procedures require notification of ANSI by ANSI-accredited standards developers (ASD) of the initiation and scope of activities expected to result in new or revised American National Standards (ANS). Early notification of activity intended to reaffirm or withdraw an ANS and in some instances a PINS related to a national adoption is optional. The mechanism by which such notification is given is referred to as the PINS process. For additional information, see clause 2.4 of the ANSI Essential Requirements: Due Process Requirements for American National Standards.

Following is a list of proposed actions and new ANS that have been received recently from ASDs. Please also review the section in Standards Action entitled "American National Standards Maintained Under Continuous Maintenance" for additional or comparable information with regard to standards maintained under the continuous maintenance option. Use the following Public Document Library url to access PDF & EXCEL reports of approved & proposed ANS: [List of Approved and Proposed ANS](#)

Directly and materially affected interests wishing to receive more information or to submit comments are requested to contact the standards developer directly within 30 days of the publication of this announcement.

AAFS (American Academy of Forensic Sciences)

Contact: Teresa Ambrosius, (719) 453-1036, tambrosius@aafs.org
410 North 21st Street, Colorado Springs, CO 80904

New Standard

BSR/ASB Std 102-202x, Standard for Peer Review of Source Conclusions in Toolmark Examinations (new standard)

Stakeholders: Firearm and tool mark examiners and technicians; forensic service providers that provide firearm and tool mark examination services; judicial system; law enforcement investigators and general public.

Project Need: Currently, there are no recognized standards for the peer review of conclusions reached in firearm and toolmark analysis, which is important due to the subjective nature of these conclusions.

This document provides requirements for conducting peer reviews of source conclusions arising from forensic toolmark comparisons. This document is limited to the process of performing a quality check of the source conclusions reached by the primary firearm and toolmark examiner in a case and does not address or consider other types of technical casework review.

ADA (American Dental Association)

Contact: Paul Bralower, (312) 587-4129, bralowerp@ada.org
211 East Chicago Avenue, Chicago, IL 60611-2678

New National Adoption

BSR/ADA Standard No. 190-202x, Single-Use Dental Cartridges for Local Anesthetics (identical national adoption of ISO 11499:2014)

Stakeholders: Dentists, manufacturers.

Project Need: Dental cartridges for local anesthetics are products that are used routinely in the practice of dentistry; hence, a standard is required to ensure their quality, safety, and efficacy.

This standard gives specific performance requirements for single-use dental cartridges of 1,0 ml, 1,7 ml, 1,8 ml, and 2,2 ml nominal capacity for use with local anaesthetics. It specifies tests for leakage, plunger movement, extractable volume, and underfilling, and lists general overall dimensions to ensure that the cartridge will fit dental cartridge syringes complying with ISO 9997 and ISO 21533.

New Standard

BSR/ADA Standard No. 1102-202x, Electronic Dental Benefits Eligibility Verification (new standard)

Stakeholders: Dentists, benefits payers and clearinghouses, electronic dental record vendors, electronic medical record vendors, and other intermediaries.

Project Need: Current electronic health records systems used by providers are not interoperable with payers and clearinghouses in the verification of dental eligibility, resulting in the need for providers to use numerous, non-uniform portals to determine eligibility. A uniform approach to dental benefits eligibility verification will reduce administrative burden for all stakeholders.

This standard will address the steps that must be taken to implement interoperable solutions for electronic verification of dental benefits eligibility among the various stakeholders involved. This standard also will point to the implementation of current base standards in order to develop a uniform approach that will provide interoperability among the various systems and portals in use in by providers and the payer community.

Revision

BSR/ADA Standard No. 1067-202x, Electronic Dental Record System Standard - Functional Requirements (revision of ANSI/ADA Standard No. 1067-2013 (R2018))

Stakeholders: Dentists, electronic health record system vendors.

Project Need: Dental system vendors will benefit from a set of standard functional requirements and can use these requirements, integrated with the existing HL7 EHRS Functional Model, to certify compliance of an electronic dental record system. The standard requires revision at this time to bring it into conformance with the newest version of the HL7 EHRS Functional Model.

The proposed standard creates a set of minimal functions required of an electronic dental record system. These functional requirements are based upon the Health Level Seven Electronic Health Record System Functional Model and extends this model for dentistry.

AMCA (Air Movement and Control Association)

Contact: *Shruti Kohli-Bhargava, (847) 704-6285, shrutik@amca.org*
30 West University Drive, Arlington Heights, IL 60004-1893

New Standard

BSR/AMCA 340-202x, Laboratory Method of Sound Testing of Large-Diameter Ceiling Fans (new standard)

Stakeholders: Manufacturers of LDCF, building design engineers and architects, end users and testing labs of LDCF, associations within the HVAC industry (trade associations and professional societies).

Project Need: Currently, each LDCF manufacturer uses a different method of test. Existing sound test standards require acoustical testing chambers that are cost prohibitive due to the large size of LDCF (up to 24 feet in diameter). A method of test is needed to provide consistent, accurate, comparable sound performance data for designers and end users.

Develop a method of sound testing for Large-Diameter Ceiling Fans (LDCF) [sometimes referred to as High Volume Low Speed or HVLS fans]. The method would allow for the third party certification of sound data in a manner that is cost effective and produces accurate, repeatable results and to provide standardized design data for the application of LDCF in occupied spaces.

AWPA (ASC O5) (American Wood Protection Association)

Contact: *Colin McCown, (205) 733-4077, colin@awpa.com*
P.O. Box 361784, Birmingham, AL 35236-1784

Revision

BSR O5.3-202x, Solid Sawn Wood Crossarms and Braces - Specifications and Dimensions (revision of ANSI O5.3-2015)

Stakeholders: Utility crossarm manufacturers and electric/telecommunications utilities.

Project Need: The standard needs to be reviewed and revised to ensure that it remains current.

This standard consists of specifications covering solid sawn-wood crossarms and braces manufactured from coastal Douglas-fir (*Pseudotsuga menziesii* - variety *menziesii*) grown in the West Coast region (i.e., from the summit area of the Cascade Mountains of Washington, Oregon, California, and British Columbia, Canada) to the Pacific Ocean; and from dense Southern pine of the following species: longleaf pine (*Pinus palustris*), shortleaf pine (*Pinus echinata*), loblolly pine (*Pinus taeda*), and slash pine (*Pinus elliottii*). The specifications are intended to cover communications crossarms, power crossarms, heavy-duty crossarms, and heavy-duty braces. Crossarms are intended primarily for use as beams. Heavy-duty crossarms may also be used as struts or columns in braced H-frames. Braces are used for tension, compression-bracing, or both.

ICC (International Code Council)

Contact: *Karl Aittaniemi, (888) 422-7233, kaittaniemi@iccsafe.org*
4051 Flossmoor Road, Country Club Hills, IL 60478

New Standard

BSR/ICC 1300-202x, Standard for the Vulnerability-Based Seismic Assessment and Retrofit of One- and Two-Family Dwellings (new standard)

Stakeholders: Homeowners, code officials, builders, manufacturers, design professionals, certification agencies.

Project Need: This class of structure represents the most common type of dwelling in the United States. Improved seismic design and seismic retrofitting of vulnerable configurations will increase the probability that homes are available to provide shelter following moderate to large seismic events.

Development of a comprehensive Standard to provide a methodology for the identification, evaluation, and retrofit of specific known vulnerabilities for one- and two-family wood light-frame residential buildings (including townhouses) up to 2 stories in height. Also included is the evaluation and retrofit of masonry chimneys attached to three-story buildings. Development of the assessment and retrofit provisions are applicable to dwellings located in Seismic Design Categories B through E and will include the use of the best available seismic numerical modeling tools and engineering practices to assist in development of assessment methods and to identify retrofit criteria to best achieve targeted performance objectives. Use of the provisions are anticipated to improve earthquake performance but is not intended to prevent earthquake damage.

IES (Illuminating Engineering Society)

Contact: Patricia McGillicuddy, (917) 913-0027, pmcgillicuddy@ies.org
120 Wall Street, Floor 17, New York, NY 10005

New Standard

BSR/IES RP-4-202x, Recommended Practice: Lighting Library Spaces (new standard)

Stakeholders: Lighting practitioners, electrical engineers, architects, interior designers, library personnel, regulatory agencies, energy efficiency organizations, and the general public.

Project Need: This Recommended Practice provides design criteria for the many different types of spaces found within today's libraries. This document addresses the many and varied visual tasks encountered by users and staff during the course of their activities in libraries of all types. As energy criteria have gained predominance throughout society, so too has a focus on lighting quality. The relationship between energy demand and lighting quality is evident within this document.

Today's library is different in many ways from libraries of the past. Newer lighting techniques and lighting equipment provide the designer with the tools to meet the needs of the varied visual tasks encountered in today's libraries. This document has been written for use by lighting design professionals, architects, engineers, library administrators, librarians, and educators to provide useful practical information that will help produce an energy efficient, pleasing lighted environment.

NISO (National Information Standards Organization)

Contact: Nettie Lagace, (301) 654-2512, nlagace@niso.org
3600 Clipper Mill Road, Suite 302, Baltimore, MD 21211

New Standard

BSR/NISO Z39.104-202x, Contributor Roles Taxonomy (CRediT) (new standard)

Stakeholders: Publishers and distributors of scholarly research outputs, product owners, publishing suppliers, software developers, and libraries.

Project Need: Improvement of bibliographic conventions for describing and listing authors on scholarly outputs in order to more fully represent the range of contributions that researchers make to published output.

A high-level taxonomy describing contributors to scholarly research outputs. These descriptions specify particular types of actions and inputs to the research product (including--but not limited to--journal articles). Application of the taxonomy supports visibility and recognition for contributors and increases the transparency and accessibility of research contributions.

SCTE (Society of Cable Telecommunications Engineers)

Contact: Kim Cooney, (800) 542-5040, kcooney@scte.org
140 Phillips Rd, Exton, PA 19341

Revision

BSR/SCTE 250-202x, Real-Time Event Signaling and Management API (revision of ANSI/SCTE 250-2019)

Stakeholders: Cable Telecommunications industry.

Project Need: Update current technology.

This document details the interfaces between a Signal Acquisition System (SAS) and a Signal Decision System (SDS) in order to support signal and manifest processing. The APIs support synchronous signal processing, asynchronous signal processing, and processing of both linear and file-based content.

UL (Underwriters Laboratories, Inc.)

Contact: Alan McGrath, (847) 664-3038, alan.t.mcgrath@ul.org
333 Pfingsten Road, Northbrook, IL 60062-2096

New Standard

BSR/UL 2557-202x, Standard for Membrane Switches (new standard)

Stakeholders: Manufacturers of membrane switches, consumers, and AHJs.

Project Need: Currently, these products are only covered by a UL Outline of Investigation. UL would like to propose this outline as a new USA edition. It will be proposed to the Standards Technical panel for Switches, UL 61058, Switches for Appliances.

These requirements apply to membrane switches actuated by human activity, via a membrane or sensing substrate, to operate or control appliances and electrical equipment. The membrane switch electrical rating not to exceed 30 Vrms and power not greater than 100 VA. Membrane switches which incorporate additional control functions governed by the switch function are within the scope of these requirements. Additional control functions shall be evaluated for their suitability using the applicable standards for the application. These membrane switches are intended to be operated by a person, via a membrane or by actuating a sensing substrate. These requirements cover the indirect actuation of the switch when the operation of the actuating member or sensing unit is provided by a remote control or a part of an appliance or equipment such as a door. Embedded components are evaluated with regards to their safety and application to the membrane switch construction. The acceptability of an embedded component in the membrane switch shall be considered with regards to construction and performance requirements in the end product final application.

American National Standards Maintained Under Continuous Maintenance

The ANSI Essential Requirements: Due Process Requirements for American National Standards provides two options for the maintenance of American National Standards (ANS): periodic maintenance (see clause 4.7.1) and continuous maintenance (see clause 4.7.2). Continuous maintenance is defined as follows:

The standard shall be maintained by an accredited standards developer. A documented program for periodic publication of revisions shall be established by the standards developer. Processing of these revisions shall be in accordance with these procedures. The published standard shall include a clear statement of the intent to consider requests for change and information on the submittal of such requests. Procedures shall be established for timely, documented consensus action on each request for change and no portion of the standard shall be excluded from the revision process. In the event that no revisions are issued for a period of four years, action to reaffirm or withdraw the standard shall be taken in accordance with the procedures contained in the ANSI Essential Requirements.

The Executive Standards Council (ExSC) has determined that for standards maintained under the Continuous Maintenance option, separate PINS announcements are not required. The following ANSI Accredited Standards Developers have formally registered standards under the Continuous Maintenance option

- **AAMI (Association for the Advancement of Medical Instrumentation)**
- **AARST (American Association of Radon Scientists and Technologists)**
- **AGA (American Gas Association)**
- **AGSC-AGRSS (Auto Glass Safety Council)**
- **ASC X9 (Accredited Standards Committee X9, Incorporated)**
- **ASHRAE (American Society of Heating, Refrigerating and Air-Conditioning Engineers, Inc.)**
- **ASME (American Society of Mechanical Engineers)**
- **ASTM (ASTM International)**
- **GBI (Green Building Initiative)**
- **HL7 (Health Level Seven)**
- **IES (Illuminating Engineering Society)**
- **ITI (InterNational Committee for Information Technology Standards)**
- **MHI (Material Handling Industry)**
- **NAHBRC (NAHB Research Center, Inc.)**
- **NBBPVI (National Board of Boiler and Pressure Vessel Inspectors)**
- **NCPDP (National Council for Prescription Drug Programs)**
- **NEMA (National Electrical Manufacturers Association)**
- **NISO (National Information Standards Organization)**
- **NSF (NSF International)**
- **PRCA (Professional Ropes Course Association)**
- **RESNET (Residential Energy Services Network, Inc.)**
- **SAE (SAE International)**
- **TCNA (Tile Council of North America)**
- **TIA (Telecommunications Industry Association)**
- **UL (Underwriters Laboratories, Inc.)**

To obtain additional information with regard to these standards, including contact information at the ANSI Accredited Standards Developer, please visit ANSI Online at www.ansi.org/asd, select "Standards Activities," click on "Public Review and Comment" and "American National Standards Maintained Under Continuous Maintenance." This information is also available directly at www.ansi.org/publicreview

Alternatively, you may contact the Procedures & Standards Administration department (PSA) at psa@ansi.org or via fax at 212-840-2298. If you request that information be provided via E-mail, please include your E-mail address; if you request that information be provided via fax, please include your fax number. Thank you.

ANSI-Accredited Standards Developers Contact Information

The addresses listed in this section are to be used in conjunction with standards listed in PINS, Call for Comment and Final Actions. This section is a list of developers who have submitted standards for this issue of *Standards Action* – it is not intended to be a list of all ANSI-Accredited Standards Developers. Please send all address corrections to Standards Action Editor at standact@ansi.org.

<p>AAFS American Academy of Forensic Sciences 410 North 21st Street Colorado Springs, CO 80904 Phone: (719) 453-1036 Web: www.aafs.org</p>	<p>ASME American Society of Mechanical Engineers Two Park Avenue M/S 6-2B New York, NY 10016-5990 Phone: (212) 591-8489 Web: www.asme.org</p>	<p>ICC International Code Council 4051 Flossmoor Road Country Club Hills, IL 60478 Phone: (888) 422-7233 Web: www.iccsafe.org</p>	<p>NISO National Information Standards Organization 3600 Clipper Mill Road Suite 302 Baltimore, MD 21211 Phone: (301) 654-2512 Web: www.niso.org</p>
<p>AAMI Association for the Advancement of Medical Instrumentation 901 N. Glebe Road, Suite 300 Arlington, VA 22203 Phone: (703) 253-8274 Web: www.aami.org</p>	<p>ASSP (Safety) American Society of Safety Professionals 520 N. Northwest Hwy Park Ridge, IL 60068 Phone: (847) 768-3475 Web: www.assp.org</p>	<p>IES Illuminating Engineering Society 120 Wall Street, Floor 17 New York, NY 10005 Phone: (917) 913-0027 Web: www.ies.org</p>	<p>NSF NSF International 789 N. Dixboro Road Ann Arbor, MI 48105-9723 Phone: (734) 418-6660 Web: www.nsf.org</p>
<p>ADA (Organization) American Dental Association 211 East Chicago Avenue Chicago, IL 60611-2678 Phone: (312) 587-4129 Web: www.ada.org</p>	<p>ASTM ASTM International 100 Barr Harbor Drive West Conshohocken, PA 19428-2959 Phone: (610) 832-9744 Web: www.astm.org</p>	<p>ITI (INCITS) InterNational Committee for Information Technology Standards 700 K Street NW Suite 600 Washington, DC 20001 Phone: (202) 737-8888 Web: www.incits.org</p>	<p>SCTE Society of Cable Telecommunications Engineers 140 Philips Rd Exton, PA 19341 Phone: (800) 542-5040 Web: www.scte.org</p>
<p>AMCA Air Movement and Control Association 30 West University Drive Arlington Heights, IL 60004-1893 Phone: (847) 704-6285 Web: www.amca.org</p>	<p>ATIS Alliance for Telecommunications Industry Solutions 1200 G Street NW Suite 500 Washington, DC 20005 Phone: (202) 434-8843 Web: www.atis.org</p>	<p>NEMA (ASC C136) National Electrical Manufacturers Association 1300 North 17th Street Suite 900 Rosslyn, VA 22209 Phone: (703) 841-3234 Web: www.nema.org</p>	<p>SIMA Snow and Ice Management Association 10140 N Port Washington Road Milwaukee, WI 53092 Phone: (414) 375-1940 Web: www.sima.org</p>
<p>ANS American Nuclear Society 555 North Kensington Avenue La Grange Park, IL 60526 Phone: (708) 579-8268 Web: www.ans.org</p>	<p>AWPA (ASC O5) American Wood Protection Association P.O. Box 361784 Birmingham, AL 35236-1784 Phone: (205) 733-4077 Web: www.awpa.com</p>	<p>NEMA (ASC C78) National Electrical Manufacturers Association 1300 N 17th St Rosslyn, VA 22209 Phone: (703) 841-3262 Web: www.nema.org</p>	<p>TCIA (ASC A300) Tree Care Industry Association 136 Harvey Rd # 101 Londonderry, NH 03053 Phone: (603) 314-5380 Web: www.treecareindustry.org</p>
<p>API American Petroleum Institute 1220 L Street, NW Washington, DC 20005 Phone: (202) 682-8130 Web: www.api.org</p>	<p>ECIA Electronic Components Industry Association 13873 Park Center Road Suite 315 Herndon, VA 20171 Phone: (571) 323-0294 Web: www.ecianow.org</p>	<p>NEMA (ASC C82) National Electrical Manufacturers Association 1300 N 17th St Rosslyn, VA 22209 Phone: (703) 841-3262 Web: www.nema.org</p>	<p>UL Underwriters Laboratories, Inc. 333 Pfingsten Road Northbrook, IL 60062-2096 Phone: (847) 664-3038 Web: www.ul.com</p>
<p>ASHRAE American Society of Heating, Refrigerating and Air-Conditioning Engineers, Inc. 1791 Tullie Circle, NE Atlanta, GA 30329 Phone: (404) 636-8400 Web: www.ashrae.org</p>	<p>HL7 Health Level Seven 3300 Washtenaw Avenue Suite 227 Ann Arbor, MI 48104 Phone: (734) 677-7777 Web: www.hl7.org</p>	<p>NFPA National Fire Protection Association One Batterymarch Park Quincy, MA 02269-9101 Phone: (617) 984-7248 Web: www.nfpa.org</p>	<p>VITA VMEbus International Trade Association (VITA) 929 W. Portobello Avenue Mesa, AZ 85210 Phone: (602) 281-4497 Web: www.vita.com</p>



ISO & IEC Draft International Standard

This section lists proposed standards that the International Organization for Standardization (ISO) and the International Electrotechnical Commission (IEC) are considering for approval. The proposals have received substantial support within the technical committees or subcommittees that developed them and are now being circulated to ISO and IEC members for comment and vote. Standards Action readers interested in reviewing and commenting on these documents should order copies from ANSI.

Comments

Comments regarding ISO documents should be sent to ANSI's ISO Team (isot@ansi.org); comments on ISO documents must be submitted electronically in the approved ISO template and as a Word document as other formats will not be accepted.

Those regarding IEC documents should be sent to Tony Zertuche, General Secretary, USNC/IEC, at ANSI's New York offices (tzertuche@ansi.org). The final date for offering comments is listed after each draft.

Ordering Instructions

ISO and IEC Drafts can be made available by contacting ANSI's Customer Service department. Please e-mail your request for an ISO or IEC Draft to Customer Service at sales@ansi.org. When making your request, please provide the date of the Standards Action issue in which the draft document you are requesting appears.

ISO Standards

AGRICULTURAL FOOD PRODUCTS (TC 34)

ISO/DIS 6888-1, Microbiology of the food chain - Horizontal method for the enumeration of coagulase-positive staphylococci (Staphylococcus aureus and other species) - Part 1: Technique using Baird-Parker agar medium - 4/2/2020, \$77.00

ISO/DIS 6888-2, Microbiology of the food chain - Horizontal method for the enumeration of coagulase-positive staphylococci (Staphylococcus aureus and other species) - Part 2: Technique using rabbit plasma fibrinogen agar medium - 4/2/2020, \$67.00

AIRCRAFT AND SPACE VEHICLES (TC 20)

ISO/DIS 23665, Unmanned aircraft systems - Training for personnel involved in UAS operations - 4/6/2020, \$107.00

ANAESTHETIC AND RESPIRATORY EQUIPMENT (TC 121)

ISO/DIS 80601-2-85, Medical electrical equipment - Part 2-85: Particular requirements for basic safety and essential performance of cerebral tissue oximeter equipment - 4/2/2020, \$165.00

BUILDING ENVIRONMENT DESIGN (TC 205)

ISO/DIS 11855-1, Building environment design - Embedded radiant heating and cooling systems - Part 1: Definitions, symbols, and comfort criteria - 4/9/2020, \$88.00

DOCUMENT IMAGING APPLICATIONS (TC 171)

ISO/DIS 19005-4, Document management - Electronic document file format for long-term preservation - Part 4: Use of ISO 32000-2 (PDF/A-4) - 4/6/2020, \$93.00

MECHANICAL VIBRATION AND SHOCK (TC 108)

ISO/DIS 8041-2, Human response to vibration - Measuring instrumentation - Part 2: Personal vibration exposure meters - 4/3/2020, \$125.00

NICKEL AND NICKEL ALLOYS (TC 155)

ISO/DIS 11433, Nickel alloys - Determination of titanium content - Diantipyrylmethane molecular absorption method - 4/4/2020, \$40.00

OPTICS AND OPTICAL INSTRUMENTS (TC 172)

ISO 9022-3/DAMd1, Optics and photonics - Environmental test methods - Part 3: Mechanical stress - Amendment 1 - 4/5/2020, \$29.00

ISO/DIS 14132-3, Optics and photonics - Vocabulary for telescopic systems - Part 3: Terms for telescopic sights - 4/6/2020, \$33.00

ISO/DIS 14135-1, Optics and optical instruments - Specifications for telescopic sights - Part 1: General-purpose instruments - 11/7/2028, \$40.00

ISO/DIS 14135-2, Optics and photonics - Specifications for telescopic sights - Part 2: High-performance instruments - 4/6/2020, \$53.00

ISO/DIS 14490-3, Optics and optical instruments - Test methods for telescopic systems - Part 3: Telescopic sights - 11/13/2015, \$46.00

ISO/DIS 14490-10, Optics and photonics - Test methods for telescopic systems - Part 10: Test methods for axial colour performance - 4/6/2020, \$40.00

PERSONAL SAFETY - PROTECTIVE CLOTHING AND EQUIPMENT (TC 94)

ISO/DIS 19734, Eye and face protection - Guidance on selection, use and maintenance - 4/4/2020, \$112.00

PETROLEUM PRODUCTS AND LUBRICANTS (TC 28)

ISO/DIS 22854, Liquid petroleum products - Determination of hydrocarbon types and oxygenates in automotive-motor gasoline and in ethanol (E85) automotive fuel - Multidimensional gas chromatography method - 4/6/2020, \$77.00

PLASTICS (TC 61)

ISO/DIS 4586-2, High-pressure decorative laminates (HPL, HPDL) - Sheets based on thermosetting resins (usually called laminates) - Part 2: Determination of properties - 4/3/2020, \$155.00

ISO/DIS 4586-3, High-pressure decorative laminates (HPL, HPDL) - Sheets based on thermosetting resins (usually called laminates) - Part 3: Classification and specifications for laminates less than 2 mm thick and intended for bonding to supporting substrates - 4/3/2020, \$62.00

QUALITY MANAGEMENT AND QUALITY ASSURANCE (TC 176)

ISO/DIS 10014, Quality management systems - Managing an organization for quality results - Guidance for realizing financial and economic benefits - 4/5/2020, \$77.00

REFRIGERATION (TC 86)

ISO 13253/DAMd1, Ducted air-conditioners and air-to-air heat pumps - Testing and rating for performance - Amendment 1 - 4/4/2020, \$29.00

ISO 15042/DAMd1, Multiple split-system air conditioners and air-to-air heat pumps - Testing and rating for performance - Amendment 1 - 4/4/2020, \$29.00

ROBOTS AND ROBOTIC DEVICES (TC 299)

ISO/DIS 8373, Robotics - Vocabulary - 4/4/2020, \$88.00

SECURITY (TC 292)

ISO/DIS 22341, Security and resilience - Protective security - Guidelines for crime prevention through environmental design - 4/6/2020, \$88.00

SMALL CRAFT (TC 188)

ISO/DIS 7840, Small craft - Fire-resistant fuel hoses - 4/3/2020, \$58.00

GOVERNANCE OF ORGANIZATIONS (TC 309)

ISO/DIS 37301, Compliance management systems - Requirements with guidance for use - 4/6/2020, \$107.00

WELDING AND ALLIED PROCESSES (TC 44)

ISO/DIS 15615, Gas welding equipment - Acetylene manifold systems for welding, cutting and allied processes - Safety requirements in high-pressure devices - 4/3/2020, \$71.00

ISO/IEC JTC 1, Information Technology

ISO/IEC DIS 22123-1, Information technology - Cloud computing - Part 1: Terminology - 4/3/2020, \$71.00

ISO/IEC/IEEE DIS 15026-4, Systems and software engineering - Systems and software assurance - Part 4: Assurance in the life cycle - 4/5/2020, \$88.00

IEC Standards

SMB/6949/R, Optics and photonics - Vocabulary for telescopic systems - Part 3: Terms for telescopic sights, 020/2/7/

2/1976/CDV, IEC 60034-7 ED3: Rotating electrical machines - Part 7: Classification of types of construction, mounting arrangements and terminal box position (IM Code), 2020/4/10

7/696/CD, IEC 62641 ED1: Conductors for overhead lines - Aluminium and aluminium alloy wires for concentric lay stranded conductors, 2020/4/10

9/2577/CD, IEC 62499 ED2: Railway applications - Current collection systems - Pantographs, testing methods for carbon contact strips, 2020/4/10

13/1794(F)/CDV, IEC 62056-3-1 ED2: Electricity metering data exchange - The DLMS/COSEM suite - Part 3-1: Use of local area networks on twisted pair with carrier signalling, 2020/3/20

27/1124/CD, IEC 60519-6 ED4: Safety in installations for electroheating and electromagnetic processing - Part 6: Particular requirements for microwave equipment, 2020/4/10

31/1530/CD, IEC 62990-3 ED1: Workplace atmospheres - Part 3: Gas detectors - Electrical apparatus for the detection and measurement of oxygen - Performance requirements and test methods, 2020/4/10

34B/2067/CDV, IEC 60061-1/AMD61 ED3: Amendment 61 - Lamp caps and holders together with gauges for the control of interchangeability and safety - Part 1: Lamps Caps, 2020/4/10

34B/2068/CDV, IEC 60061-2/AMD57 ED3: Amendment 57 - Lamp caps and holders together with gauges for the control of interchangeability and safety - Part 2: Lampholders, 2020/4/10

34B/2073/FDIS, IEC 60061-3/AMD57 ED3: Amendment 57 - Lamp caps and holders together with gauges for the control of interchangeability and safety - Part 3: Gauges, 2020/2/28

34D/1528/CD, IEC 62722-2-1/AMD1 ED1: Amendment 1 - Luminaire performance - Part 2-1: Particular requirements for LED luminaires, 2020/4/10

48B/2783/FDIS, IEC 63171-1 ED1: Connectors for electrical and electronic components - Product requirements - Part 1: Detail specification for 2-way, shielded or unshielded, free and fixed connectors: Mechanical mating information, pin assignment and additional requirements for TYPE 1 / Copper LC Style, 2020/2/28

48B/2776/CDV, IEC 63171 ED1: Connectors for Electrical and Electronic Equipment - Shielded or unshielded free and fixed connectors for balanced single-pair data transmission with current carrying capacity; General requirements and tests, 2020/4/10

48B/2782/FDIS, IEC 61076-8-100 Ed1: Connectors for electrical and electronic equipment - Product requirements - Part 8-100: Power connectors - Detail specification for 2-pole or 3-pole power plus 2-pole signal shielded and sealed connectors with plastic housing for rated current of 20 A, 2020/2/28

48B/2784/FDIS, IEC 61076-8-101 Ed1: Connectors for electrical and electronic equipment - Product requirements - Part 8-101: Power connectors - Detail specification for 2-pole or 3-pole power plus 2-pole signal shielded and sealed connectors with plastic housing for rated current of 40 A, 2020/2/28

48B/2785/FDIS, IEC 61076-8-102 Ed1: Connectors for electrical and electronic equipment - Product requirements - Part 8-102: Power connectors - Detail specification for 2-pole or 3-pole power plus 2-pole signal shielded and sealed connectors with plastic housing for rated current of 150 A, 2020/2/28

57/2183/CD, IEC 61970-401 ED1: Energy management system application program interface (EMS-API) - Part 401: Profile framework, 2020/4/10

64/2415/CDV, IEC 60364-5-54/AMD1 ED3: Amendment 1 - Low-voltage electrical installations - Part 5-54: Selection and erection of electrical equipment - Earthing arrangements and protective conductors, 2020/4/10

65C/999/NP, PNW 65C-999: Industrial communication networks - Profiles - Part 5-22: Installation of fieldbuses - Installation profiles for CPF 22, 2020/4/10

70/146/CD, IEC 62262/AMD1 ED1: Amendment 1 - Degrees of protection provided by enclosures for electrical equipment against external mechanical impacts (IK code), 2020/4/10

82/1669/FDIS, IEC 62788-1-7 ED1: Measurement procedures for materials used in photovoltaic modules - Part 1-7: Encapsulants - Test procedure of optical durability, 2020/2/28

94/464/CDV, IEC 61810-4 ED1: Electromechanical elementary relays - Part 4: Reed relays - General and safety requirements, 2020/4/10

100/3379/CD, IEC 62980 ED1: Parasitic communication protocol for radio-frequency wireless power transmission (TA 15), 2020/4/10

100/3382/NP, PNW 100-3382: Spatial wireless power transfer based on multiple magnetic resonances (SWPT-MMR) - Part 2: Reference model, 2020/3/13

105/782/FDIS, IEC 62282-2-100 ED1: Fuel cell technologies - Part 2 -100: Fuel cell modules - Safety, 2020/2/28

110/1172/CDV, IEC 63211-3-5 ED1: Durability test methods for electronic displays - Part 3-5: Mechanical tests - Surface durability, 2020/4/10

114/341/CD, IEC TS 62600-201 ED2: Marine energy - Wave, tidal and other water current converters - Part 201: Tidal energy resource assessment and characterization, 2020/3/13

119/296/CDV, IEC 62899-302-3 ED1: Printed Electronics - Part 302-3: Equipment - Inkjet - Imaging-based measurement of drop direction, 2020/4/10

120/171/NP, PNW 120-171: Electrical energy storage systems; Part 4 -3: Guidance on Environmental Issues - The protection requirements of BESS according to the environmental conditions and location types, 2020/2/14

- 124/90/CDV, IEC 63203-201-3 ED1: Wearable electronic devices and technologies - Part 201-3: Electronic Textile - Determination of electrical resistance of conductive textiles under simulated microclimate, 2020/4/10
- 124/92/CD, IEC 63203-201-2 ED1: Wearable electronic devices and technologies - Part 201-2: Electronic Textile - Measurement methods for basic properties of conductive fabric and insulation materials, 2020/4/10
- 124/93/CD, IEC TR 63203-250-1 ED1: Wearable electronic devices and technologies - Part 250-1: Electronic Textile - Snap fastener connectors between e-textile and detachable electronic devices, 2020/4/10
- SyCAAL/176/CDV, IEC 63240-1 ED1: Active Assisted Living (AAL) Reference Architecture and Architecture Model - Part 1: Reference Architecture, 2020/4/10
- SyCAAL/177/CDV, IEC 63240-2 ED1: Active Assisted Living (AAL) Reference Architecture and Architecture Model - Part 2: Architecture Model, 2020/4/10
- SyCLVDC/77/NP, PNW SYCLVDC-77: Electricity access requirements with SELV DC for Tier II and Tier III of ESMAP multi-tier framework for house hold electricity supply, 2020/4/10
- SyCLVDC/78/NP, PNW TS SYCLVDC-78: Systems Reference Deliverable (SRD) - LVDC industry applications, 2020/4/10
- JTC1-SC41/133/CD, ISO/IEC 30165 ED1: Internet of Things (IoT) - Real-time IoT framework, 2020/3/13



Newly Published IEC Standards

Listed here are new and revised standards recently approved and promulgated by IEC – the International Electrotechnical Commission. Most are available at the ANSI Electronic Standards Store (ESS) at www.ansi.org. All paper copies are available from Standards resellers (<http://webstore.ansi.org/faq.aspx#resellers>).

ELECTRIC TRACTION EQUIPMENT (TC 9)

[IEC 62505-3-3 Ed. 2.0 en:2020](#), Railway applications - Fixed installations - Particular requirements for AC switchgear - Part 3-3: Measurement, control and protection devices for specific use in AC traction systems - Voltage transformers, \$82.00

ELECTRICAL ACCESSORIES (TC 23)

[IEC 60669-1 Ed. 4.0 b cor.1:2020](#), Corrigendum 1 - Switches for household and similar fixed-electrical installations - Part 1: General requirements, \$0.00

ELECTRICAL APPARATUS FOR EXPLOSIVE ATMOSPHERES (TC 31)

[IEC 60079-0 Ed. 7.0 b cor.1:2020](#), Corrigendum 1 - Explosive atmospheres - Part 0: Equipment - General requirements, \$0.00

ELECTRICAL EQUIPMENT IN MEDICAL PRACTICE (TC 62)

[IEC 60601-2-31 Ed. 3.0 b:2020](#), Medical electrical equipment - Part 2 -31: Particular requirements for the basic safety and essential performance of external cardiac pacemakers with internal power source, \$317.00

[S+ IEC 60601-2-31 Ed. 3.0 en:2020 \(Redline version\)](#), Medical electrical equipment - Part 2-31: Particular requirements for the basic safety and essential performance of external cardiac pacemakers with internal power source, \$412.00

ELECTROMECHANICAL COMPONENTS AND MECHANICAL STRUCTURES FOR ELECTRONIC EQUIPMENTS (TC 48)

[IEC 63171-6 Ed. 1.0 b:2020](#), Connectors for electrical and electronic equipment - Part 6: Detail specification for 2-way and 4-way (data/power), shielded, free and fixed connectors for power and data transmission with frequencies up to 600 MHz, \$281.00

LAMPS AND RELATED EQUIPMENT (TC 34)

[IEC 60238 Ed. 9.2 b:2020](#), Edison screw lampholders, \$528.00

[IEC 60238 Amd.2 Ed. 9.0 b:2020](#), Amendment 2 - Edison screw lampholders, \$12.00

MARITIME NAVIGATION AND RADIOCOMMUNICATION EQUIPMENT AND SYSTEMS (TC 80)

[IEC 61162-460 Ed. 2.1 b:2020](#), Maritime navigation and radiocommunication equipment and systems - Digital interfaces - Part 460: Multiple talkers and multiple listeners - Ethernet interconnection - Safety and security, \$469.00

[IEC 61162-460 Amd.1 Ed. 2.0 b:2020](#), Amendment 1 - Maritime navigation and radiocommunication equipment and systems - Digital interfaces - Part 460: Multiple talkers and multiple listeners - Ethernet interconnection - Safety and security, \$23.00

NUCLEAR INSTRUMENTATION (TC 45)

[IEC 63121 Ed. 1.0 en:2020](#), Radiation protection instrumentation - Vehicle-mounted mobile systems for the detection of illicit trafficking of radioactive materials, \$235.00

OTHER

[MISC ACEE 03 Ed. 1.0 en:2020](#), IEC Advisory Committee on energy efficiency (ACEE) - Case study: low-voltage electrical installations, \$0.00

SECONDARY CELLS AND BATTERIES (TC 21)

[IEC 63115-1 Ed. 1.0 b:2020](#), Secondary cells and batteries containing alkaline or other non-acid electrolytes - Sealed nickel-metal hydride cells and batteries for use in industrial applications - Part 1: Performance, \$199.00

SURFACE MOUNTING TECHNOLOGY (TC 91)

[IEC 62878-2-5 Ed. 1.0 b:2019](#), Device embedding assembly technology - Part 2-5: Guidelines - Implementation of a 3D data format for device embedded substrate, \$317.00

Proposed Foreign Government Regulations

Call for Comment

U.S. manufacturers, exporters, regulatory agencies and standards developing organizations may be interested in proposed foreign technical regulations notified by Member countries of the World Trade Organization (WTO). In accordance with the WTO Agreement on Technical Barriers to Trade (TBT Agreement), Members are required to notify proposed technical regulations that may significantly affect trade to the WTO Secretariat in Geneva, Switzerland. In turn, the Secretariat issues and makes available these notifications. The purpose of the notification requirement is to provide global trading partners with an opportunity to review and comment on the regulations before they become final.

The USA Inquiry Point for the WTO TBT Agreement is located at the National Institute of Standards and Technology (NIST) in the Standards Coordination Office (SCO). The Inquiry Point distributes the notified proposed foreign technical regulations (notifications) and makes the associated full-texts available to U.S. stakeholders via its online service, Notify U.S. Interested U.S. parties can register with Notify U.S. to receive e-mail alerts when notifications are added from countries and industry sectors of interest to them.

To register for Notify U.S., please visit <http://www.nist.gov/notifyus/>.

The USA WTO TBT Inquiry Point is the official channel for distributing U.S. comments to the network of WTO TBT Enquiry Points around the world. U.S. business contacts interested in commenting on the notifications are asked to review the comment guidance available on Notify U.S. at <https://tsapps.nist.gov/notifyus/data/guidance/guidance.cfm> prior to submitting comments.

For further information about the USA TBT Inquiry Point, please visit:

<https://www.nist.gov/standardsgov/what-we-do/trade-regulatory-programs/usa-wto-tbt-inquiry-point>

Contact the USA TBT Inquiry Point at:(301) 975-2918; Fax: (301) 926-1559; E-mail: usatbtep@nist.gov or notifyus@nist.gov.

Information Concerning

American National Standards

Call for Members

INCITS Executive Board – ANSI Accredited SDO and US TAG to ISO/IEC JTC 1, Information Technology

The InterNational Committee for Information Technology Standards (INCITS), an ANSI accredited SDO, is the forum of choice for information technology developers, producers and users for the creation and maintenance of formal de jure IT standards. INCITS' mission is to promote the effective use of Information and Communication Technology through standardization in a way that balances the interests of all stakeholders and increases the global competitiveness of the member organizations.

The INCITS Executive Board serves as the consensus body with oversight of its 40+ Technical Committees. Additionally, the INCITS Executive Board has the international leadership role as the US Technical Advisory Group (TAG) to ISO/IEC JTC 1, Information Technology.

Membership in the INCITS Executive Board is open to all directly and materially affected parties in accordance with INCITS membership rules. To find out more about participating on the INCITS Executive Board, contact Jennifer Garner at jgarner@itic.org or visit <http://www.incits.org/participation/membership-info> for more information.

Membership in all interest categories is always welcome; however, the INCITS Executive Board seeks to broaden its membership base in the following categories:

- Service Providers
- Users
- Standards Development Organizations and Consortia
- Academic Institutions

Society of Cable Telecommunications

ANSI Accredited Standards Developer

SCTE, an ANSI-accredited SDO, is the primary organization for the creation and maintenance of standards for the cable telecommunications industry. SCTE's standards mission is to develop standards that meet the needs of cable system operators, content providers, network and customer premises equipment manufacturers, and all others who have an interest in the industry through a fair, balanced and transparent process.

SCTE is currently seeking to broaden the membership base of its consensus bodies and is interested in new members in all membership categories to participate in new work in fiber-optic networks, advanced advertising, 3D television, and other important topics. Of particular interest is membership from the content (program and advertising) provider and user communities.

Membership in the SCTE Standards Program is open to all directly a materially affected parties as defined in SCTE's membership rules and operating procedures. More information is available at www.scte.org or by e-mail from standards@scte.org.

Correction to Final Actions

Designation of Approved American National Standard

ANSI/NECA 600

The published designation of the reaffirmation of ANSI/NECA 600 Standard for Installing and Maintaining Medium-Voltage Cable, announced in the January 17, 2020 edition of Standards Action has been updated to the reaffirmation of ANSI/NECA/NCSCB 600-2014 (R2020) Standard for Installing and Maintaining Medium-Voltage Cable. Questions should be directed to Aga Golriz, (301) 215-4549, Aga.golriz@necanet.org.

International Electrotechnical Commission (IEC)

USNC TAG Administrator – Organization Needed

Response Deadline: February 7, 2020

ISA is relinquishing its role as the TAG Administrator for the USNC TAG to IEC/SyC Smart Manufacturing. The USNC is looking for a new organization to take on this TAG Administratorship.

Please note that according to the rules and procedures of the USNC, a TAG cannot exist without a TAG Administrator. If we cannot find a new TAG Administrator, the USNC will have to withdraw from international participation and register with the IEC as a Non-Member of this Committee.

If an organization is interested in the position of USNC TAG Administrator for the TAG to SyC SM, they are invited to contact Ade Gladstein at agladstein@ansi.org no later than 7 February 2020.

Please see the scope for the SyC SM below.

Scope:

To provide coordination and advice in the domain of Smart Manufacturing to harmonize and advance Smart Manufacturing activities in the IEC, other SDOs and Consortia according to clause 2 in AC/22/2017 superseded by the AC/17/2018.

Information Concerning

International Organization for Standardization (ISO)

Call for U.S. TAG Administrator ISO/TC 295 – *Audit data services*

ANSI directly administers the U.S. TAG Administrator for ISO/TC 295 with the support of the Organization for the Advancement of Structured Information Standards (OASIS). OASIS has advised ANSI to relinquish its role as U.S. TAG Administrator for this committee.

ISO/TC 295 operates under the following scope:

Standardization in the field of audit data services covers the content specification as well as the collection, pre-processing, management and analysis techniques for the identification, communication, receipt, preparation and use of audit data.

Note:

- 1. *Audit: an official examination of an entity's financial and financial related records in order to check that they are correct. (Source: Longman Dictionary of Contemporary English 4th Edition, modified company has been replaced by entity to cover government auditees and financial related records has been added.)*
- 2. *The audit data includes data of different areas including public sector budget, financial report, nonfinancial enterprises, tax and social insurance, for the purpose of government audit, external independent audit, internal audit and other regulators.*

Excluded:

- 1. *Information system security audit covered by ISO/IEC/JTC 1.*
- 2. *Security evaluation criteria and methodology, techniques and guidelines to address both security and privacy aspects covered by ISO/IEC/JTC 1/SC 27.*
- 3. *Meta-data standards, E-business standards, database language standards covered by ISO/IEC/JTC 1/SC 32.*

Organizations interested in serving as the U.S. TAG Administrator or participating on a U.S. TAG should contact ANSI's ISO Team (isot@ansi.org).

Information Concerning

Meeting Notice

Meeting Notice and Call for Members for the New INCITS Technical Committee on Trustworthiness (US TAG to JTC 1/WG 13 – Trustworthiness)

Organizational Meeting – February 27, 2020

The organizational meeting of the INCITS/Trustworthiness will be held electronically via Zoom on February 27, 2020 (12:00 PM to 5:00 PM (Eastern) / 9:00 AM to 2:00 PM (Pacific)). The agenda, related documents and instructions for joining the Zoom meeting will be distributed on February 13 to organizational representatives that have requested membership on the new committee. RSVPs for the meeting should be submitted to Barbara Bennett (bbennett@itic.org) as soon as possible.

Background on Establishment of INCITS/Trustworthiness – At the January 15, 2020 INCITS Executive Board meeting, a new Technical Committee, INCITS/Trustworthiness, was established to serve as the US TAG to JTC 1/WG 13 on Trustworthiness - formed at the November 2019 ISO/IEC JTC 1 Plenary:

Given the horizontal nature of trustworthiness in JTC 1

1. JTC 1 establishes JTC 1/WG 13 on Trustworthiness.
2. JTC 1 assigns the approved work item ISO/IEC TS 24462, Ontology for ICT Trustworthiness Assessment, to WG 13.

Terms of Reference of the Working Group are:

- Complete, improve and maintain the inventory (JTC 1 N14500) including the heat map as a JTC 1 standing document reflecting the landscape of trustworthiness in JTC 1, other ISO and IEC Committees, and other SDOs
- Complete terminology and description of characteristics and determine what type of document should be created.
- Develop horizontal deliverables such as frameworks, taxonomy and ontology for ICT trustworthiness for guiding trustworthiness efforts throughout JTC 1 and upon which other deliverables can be developed (beginning with ISO/IEC TS 24462, Ontology for ICT Trustworthiness Assessment)

Excluded are domain specific trustworthiness deliverables, such as those within the scope of JTC 1 SCs.

The committee will operate under the ANSI-accredited procedures for the InterNational Committee for Information Technology Standards (INCITS); (see [INCITS Organization, Policies and Procedures](#)). Additional information can also be found at <http://www.INCITS.org> and <http://www.incits.org/participation/membership-info>.

The complete meeting notice and membership information can be found at https://standards.incits.org/apps/group_public/document.php?document_id=115725&wg_abbrev=eb.



American National Standards (ANS) – Where to find Procedures, Guidance, Interpretations and More...

Please visit ANSI's website (www.ansi.org) for resources that will help you to understand, administer and participate in the American National Standards (ANS) process. Documents posted at these links are updated periodically as new documents and guidance are developed, whenever ANS-related procedures are revised, and routinely with respect to lists of proposed and approved ANS. The main ANS-related link is www.ansi.org/asd and here are some direct links as well as highlights of information that is available:

- *ANSI Essential Requirements: Due process requirements for American National Standards* (always current edition): www.ansi.org/essentialrequirements
- ANSI Standards Action (weekly public review announcements of proposed ANS and standards developer accreditation applications, listing of recently approved ANS, and proposed revisions to ANS-related procedures): www.ansi.org/standardsaction
- Accreditation information – for potential developers of American National Standards (ANS): www.ansi.org/sdoaccreditation
- ANS Procedures, ExSC Interpretations and Guidance (including a slide deck on how to participate in the ANS process and the BSR-9 form): www.ansi.org/asd
- Lists of ANSI-Accredited Standards Developers (ASDs), Proposed ANS and Approved ANS: www.ansi.org/asd
- American National Standards Key Steps: www.ansi.org/anskeysteps
- American National Standards Value: www.ansi.org/ansvalue
- ANS Web Forms for ANSI-Accredited Standards Developers - PINS, BSR8|108, BSR11, Technical Report: www.ansi.org/PSAWebForms
- Information about standards Incorporated by Reference (IBR): www.ansi.org/ibr
- ANSI - Education and Training: www.standardslearn.org

If you have a question about the ANS process and cannot find the answer quickly, please send an email to psa@ansi.org.

Please also visit Standards Boost Business at www.standardsboostbusiness.org for resources about why standards matter, testimonials, case studies, FAQs and more.

If you are interested in purchasing an American National Standard, please visit <https://webstore.ansi.org/>



BSR/ASHRAE Standard 216P

Public Review Draft

Methods of Test for Determining Application Data of Overhead Circulator Fans

Third Public Review (January 2020)

(Draft Shows Proposed **Independent Substantive Changes to Previous Public Review Draft)**

This draft has been recommended for public review by the responsible project committee. To submit a comment on this proposed standard, go to the ASHRAE website at www.ashrae.org/standards-research--technology/public-review-drafts and access the online comment database. The draft is subject to modification until it is approved for publication by the Board of Directors and ANSI. Until this time, the current edition of the standard (as modified by any published addenda on the ASHRAE website) remains in effect. The current edition of any standard may be purchased from the ASHRAE Online Store at www.ashrae.org/bookstore or by calling 404-636-8400 or 1-800-727-4723 (for orders in the U.S. or Canada).

The appearance of any technical data or editorial material in this public review document does not constitute endorsement, warranty, or guaranty by ASHRAE of any product, service, process, procedure, or design, and ASHRAE expressly disclaims such.

© 2019 ASHRAE. This draft is covered under ASHRAE copyright. Permission to reproduce or redistribute all or any part of this document must be obtained from the ASHRAE Manager of Standards, 1791 Tullie Circle, NE, Atlanta, GA 30329. Phone: 404-636-8400, Ext. 1125. Fax: 404-321-5478. E-mail: standards.section@ashrae.org.

ASHRAE, 1791 Tullie Circle, NE, Atlanta GA 30329-2305

(This foreword is not part of this standard. It is merely informative and does not contain requirements necessary for conformance to the standard. It has not been processed according to the ANSI requirements for a standard and may contain material that has not been subject to public review or a consensus process. Unresolved objectors on informative material are not offered the right to appeal at ASHRAE or ANSI.)

FOREWORD

This proposed standard was created to provide standardized design data for the application of overhead circulation fans in indoor spaces. The test data can be used for occupant thermal comfort calculations and to demonstrate compliance with the thermal comfort requirements of ASHRAE Standard 55.

[Note to Reviewers: This public review draft makes proposed independent substantive changes to the previous public review draft. These changes are indicated in the text by underlining (for additions) and ~~strikethrough~~ (for deletions) except where the reviewer instructions specifically describe some other means of showing the changes. Only these changes to the previous draft are open for review and comment at this time. Additional material is provided for context only and is not open for comment except as it relates to the proposed substantive changes.]

Revise Section 3 Definitions as shown below. The remainder of Section 3 is unchanged.

3. DEFINITIONS

fan size (D): total diameter of a circle measured at the impeller blade tips.

~~*voltage (VE):* electric potential or potential difference.~~

Revise Table 4.1 as shown below. The remainder of Table 4.1 is unchanged.

Table 4.1—Symbols and Units

Symbol	Description	IP Unit	SI Unit
<u>VE</u>	Voltage	∇	∇

Revise Section 6.1.1 as shown below.

6.1.1 Steady State Air Speed Conditions. ~~All~~ measurements shall be done under steady state conditions. For the purpose of this standard, steady-state conditions are achieved at each test point when the absolute difference between the mean of the first half of the test sampling duration and the mean of the second half of the *test sampling duration* is less than either 10% or 10 fpm (0.05m/s) for each test sample. If steady state conditions are not met at the minimum *test sampling duration*, the *test sampling duration* shall increase in 180 second increments until steady state conditions are achieved, up to a maximum of 720 seconds, at which steady state conditions are assumed to have been met.

Revise Section 7.1.2 and Table 7.1 as shown below.

7.1.2 Fan location. The fan shall be tested in the chamber specified in Table 7.1. The fan shall be centered on the horizontal axes within the test chamber (± 0.25 ft, ± 0.076 m), and the vertical centerline through the fan setup shall be within $\pm 1^\circ$ of vertical. The fan shall be assembled in accordance with the manufacturer's published installation manual. The required fan *blade height* shall be determined using Table 7.1 and shall be measured when the fan is stationary.

Table 7.1 – Test Chamber and Fan Mounting Dimensions

Fan size, ft (m)	Test chamber size Width x Length x Height, ft (m)	Blade height*, ft (m)
$D \leq 7.0$ (2.1)	20x20x11 ±0.75 (6.1x6.1x3.4 ±0.23)	8.0 ±0.083 (2.4 ±0.025)
7.0 (2.1) < $D \leq 16.0$ (4.874-9)	50x50x22 ±1.5 (15.2x15.2x6.7 ±0.46)	15 ±0.167 (4.6 ±0.051)
$D > 16.0$ (4.874-9)	80x80x32 ±2.0 (24.4x24.4x9.8 ±0.61)	21 ±0.25 (6.4 ±0.076)

*Additional testing performed at mounting heights not specified in Table 3 shall be clearly labeled as non-compliant with the mounting height requirements of this standard.

Revise Section 8.8 as shown below.

8.8 Room mean air speed ~~average air speed~~. The mean of the *average air speeds* measured at each *test position* specified in Section 8.3. Room mean air speed ~~average air speed~~ shall be calculated for both seated and standing occupants.

$$V_{a,m,seated,room} = \sum_{n=0}^{max} WF_n \times V_{a,m,seated,n} \quad (\text{Eq 8.10})$$

$$V_{a,m,standing,room} = \sum_{n=0}^{max} WF_n \times V_{a,m,standing,n} \quad (\text{Eq 8.11})$$

where

$V_{a,m,seated,n}$ = Seated *average air speed* at test position n, fpm (m/s)

$V_{a,m,standing,n}$ = Standing *average air speed* at test position n, fpm (m/s)

$V_{a,m,seated,room}$ = Seated room mean air speed ~~average air speed~~, fpm (m/s)CFE

$V_{a,m,standing,room}$ = Standing room mean air speed ~~average air speed~~, fpm (m/s)

Revise Table 8.1 as shown below.

Table 8.1 – Assumed Comfort Conditions for Average Cooling Effect Calculation

Comfort Conditions	Baseline	Elevated Air Speed
<i>Air Dry-Bulb Temperature</i>	80.0 F (26.7 C)	80.0 F (26.7 C)
Mean Radiant Temperature	80.0 F (26.7 C)	80.0 F (26.7 C)
Humidity Ratio	0.010	0.010
Metabolic Rate	1.1 met	1.1 met
Clothing Insulation	0.50 clo	0.50 clo
<i>Air Speed</i>	20 fpm (0.1m/s)	Room <u>mean air speed</u> average air speed

Revise Section 9.1 as shown below. The remainder of Section 9.1 is unchanged.

9.1 Report. The report of a laboratory overhead circulator ceiling fan test shall at a minimum include the following data:

[...]

Test Data:

Air speeds for each test point
 Ambient dry-bulb temperature
 Ambient wet-bulb temperature
 Ambient barometric pressure
 Extraneous airflow - before test
 Extraneous airflow - after test
 Fan speed
 System input current
 System input frequency
 System input power
 System input voltage
 Direction of operation (~~forward or reverse~~ downward or upward flow)

[...]

Calculated values:

Air density
 Average system input power
Average air speed at each test point
Average air speed at each test position (seated)
Average air speed at each test position (standing)
 Cooling Fan Efficiency (seated)
 Cooling Fan Efficiency (standing)
 Room mean air speed ~~*average air speed*~~ (seated)
 Room mean air speed ~~*average air speed*~~ (standing)
 Maximum air speed at a test position (seated)
 Maximum air speed at a test position (standing)
 Minimum air speed at a test position (seated)
 Minimum air speed at a test position (standing)
 Uniformity (seated)
 Uniformity (standing)
 Room average cooling effect (seated)
 Room average cooling effect (standing)
 2.5r cooling effect (seated)
 2.5r cooling effect (standing)
 Cooling coverage fraction (seated)
 Cooling coverage fraction (standing)
 Heating draft risk fraction (seated)
 Heating draft risk fraction (standing)

Not for publication. This document is part of the NSF International standard development process. This draft text is for circulation for review and/or approval by a NSF Standards Committee and has not been published or otherwise officially adopted. All rights reserved. This document may be reproduced for informational purposes only.

[Note – the recommended changes to the standard which include the current text of the relevant section(s) indicate deletions by use of ~~strikeout~~ and additions by **grey highlighting**. Rationale Statements are in *italics* and only used to add clarity; these statements will NOT be in the finished publication.]

NSF/AWWA/ANSI Sustainability Standard For Sustainability – Products

Sustainability Standard for – Water Contact Products

-
-
-

3.14 manufacturer: The parent corporation, manufacturing facility(ies), ~~and~~ or business unit.

Rationale – avoid use of and/or statements

-
-
-

5 Product design

5.1 Purpose

The criteria in this section are intended to encourage the understanding of environmental impacts of a products by the product designers and developers. To drive industry improvements and reduce negative environmental impacts, the following criteria are available.

5.2 Requisite: design policy – environmental assessment

The manufacturer shall develop an environmental assessment policy within the product design and development system. The plan shall consider the environmental attributes and life cycle impacts of its products and packaging, including issues such as designing for longevity, designing for reusability, and designing for recyclability ~~and~~ or compostability. The environmental assessment plan shall consider environmental attributes and life cycle impacts of products and packaging across the entire product life cycle (e.g., raw material extraction, manufacturing, use, transportation, and end-of-life).

Rationale – avoid use of and/or statements

-
-
-

Not for publication. This document is part of the NSF International standard development process. This draft text is for circulation for review and/or approval by a NSF Standards Committee and has not been published or otherwise officially adopted. All rights reserved. This document may be reproduced for informational purposes only.

5.6.6 Optional: environmentally sustainable inputs – product

For the product undergoing assessment, the manufacturer shall declare the total quantity of environmentally sustainable inputs (recycled [pre- or post-consumer], or bio-based), specified on a percentage weight basis. The manufacturer shall document a minimum of 20% environmentally sustainable content of the product by weight (excluding packaging) for any of the following:

- bio-based resource content with proper stewardship; or
- recycled content quantity which shall be calculated as follows:
 - post-consumer recycled content shall be valued at 100% weight basis; or
 - pre-consumer recycled content shall be valued at 50% weight basis.

The manufacturer shall be able to use both bio-based and recycled content to achieve this percentage.

NOTE – there are circumstances where the use of recycled material(s) requires more energy, consumes more renewable resources, and/or emits more air pollution than non-recycled materials. When this is the case, efforts should be made to reduce those environmental impacts.

Rationale – avoid use of and/or statements

-
-
-

8 End-of-life management

The intent of the criteria in this section is to ensure that existing and new products can be collected, processed, refurbished, recycled, and/or composted within the existing materials recycling infrastructure. In the absence of a recycling possibility, the manufacturer shall indicate on the product that it shall be properly disposed of at the end-of-life.

Rationale – avoid use of and/or statements

-
-
-

Not for publication. This document is part of the NSF International standard development process. This draft text is for circulation for review and/or approval by a NSF Standards Committee and has not been published or otherwise officially adopted. All rights reserved. This document may be reproduced for informational purposes only.

Annex B¹ **(informational)**

Key elements of a certification program for Sustainability Assessment for Water Contact Products

B.1 General

Declaring conformance to this Standard identifies that a manufacturer designs, develops, and creates products in a manner that is considered to be in some measure sustainable and/or environmentally preferable. Conformance to this Standard alone does not imply certification. The manufacturer can provide additional public confidence regarding the attainment of these goals by undertaking independent conformity assessment (third party certification).

Rationale – avoid use of and/or statements

¹ The information contained in this annex is not part of this American National Standard (ANS) and has not been processed in accordance with ANSI's requirements for an ANS. As such, this annex may contain material that has not been subjected to public review or a consensus process. In addition, it does not contain requirements necessary for conformance to the Standard.

A300 (Part 3) *Supplemental Support Systems* Draft 1, Version 4 For 30 Day Public Review

Part 3 – Supplemental Support Systems

BSR A300 (Part 3) – 20xx Revision Draft 1 Version 4

For Tree Care Operations –
Tree, Shrub, and Other Woody Plant Management Standard Practices
Supplemental Support Systems

1	ANSI A300 Standards – Scope, purpose, and application
30	Part 3 – Supplemental Support Systems
31	Normative references
32	Inspection
33	Objectives
34	Specifications
45	Practices
36	Cabling
37	Bracing
38	Propping
39	Guying established trees
40	Supporting newly Installed landscape plants
41	Maintenance
42	Definitions

Secretariat:
Tree Care Industry Association, Inc.
136 Harvey Rd. – Ste 100
Londonderry, NH 03053
603-314-5380
Fax: 603-314-5386
www.tcia.org
Rouse@tcia.org

A300 (Part 3) *Supplemental Support Systems* Draft 1, Version 4 For 30 Day Public Review

Foreword This foreword will not be considered part of the revised will not be part of the revised A300 (Part 3)-20xx standard.

ANSI A300 standards are intended to guide work practices for the care of trees, palms, shrubs, and other woody landscape plants. They apply to arborists, horticulturists, landscape architects, and other professionals who provide for or supervise the management of these plants for property owners, property managers, businesses, government agencies, utilities, and others who use these services. The standard does not apply to agriculture, horticultural production, or silviculture, except where explicitly noted otherwise.

These standards should be used to develop specifications for work assignments; however, they are not intended to be used as work specifications in and of themselves. Effective specifications must include measurable criteria, and must account for the variable characteristics of landscape plants and the individual management objectives of their owners.

The Tree Care Industry Association (TCIA) oversees the Accredited Standards Committee (ASC) on Tree, Shrub, and Other Woody Plant Management Operations – Standard Practices, A300 (ASC A300), which writes the ANSI A300 Standards. TCIA is an ANSI-accredited Standards Developing Organization (SDO), and is secretariat of the ANSI A300 standards. ANSI requires that approved standards be developed according to accepted principles, and that they be reviewed and, if necessary, revised every five years.

Prior to 1991, various industry associations and practitioners developed their own standards and recommendations for tree care practices. Recognizing the need for a standardized, scientific approach, green industry associations, government agencies and tree care companies agreed to develop consensus for an official American National Standard.

Since 1991, ASC A300 has met regularly to write new, and review and revise existing ANSI A300 standards. The committee includes industry representatives with broad knowledge and technical expertise from residential and commercial tree care, utility, municipal and federal sectors, landscape and nursery industries, and other interested organizations.

ANSI A300 Standards are divided into multiple parts, each focusing on a specific aspect of woody plant management (e.g. Pruning, Soil Management, Supplemental Support Systems, etc.). The ANSI A300 standards unify and take authoritative precedence over all previously existing tree care industry standards.

This draft is a public review document. The public review period starts on XXX, and ends on XXX. This document is not approved as a draft for trial use.

How to file a public review comment: Official public comments must be entered on the TCIA website portal at www.tcia.org/A300comments before the deadline of 11:59 PM Eastern Standard Time (EST) XXX in order to be considered, no exceptions will be made for late comments. You will be asked to register to gain access. Responses to official comments will be provided. Comments may be forwarded to ASC A300 members and/or the TCIA secretary, however comments that are forwarded to ASC A300 members or the TCIA Secretary and are not entered online will not be recorded as official comments and a response will not be provided. If you require an official response, you must post your comments on the TCIA website portal.

Information requests regarding this document must be forwarded to: rrouse@tcia.org, A300 Secretary, c/o Tree Care Industry Association, Inc., 670 N. Commercial St. Suite 201 Manchester NH 03101.

A300 (Part 3) *Supplemental Support Systems* Draft 1, Version 4 For 30 Day Public Review

Tim Bushnell, Chair (Sherrill Tree)
 Wayne Dubin, Vice-Chair (Bartlett Tree Expert Company)
 Bob Rouse, Secretary (Tree Care Industry Association, Inc.)
 Amy Tetreault, Assistant Secretary (Tree Care Industry Association, Inc.)

Organizations Represented

AmericanHort (formerly ANLA)
 American Society of Consulting Arborists

 American Society of Landscape Architects
 Asplundh Tree Expert Company
 Bartlett Tree Expert Company

 Davey Tree Expert Company

 International Society of Arboriculture
 Professional Grounds Management Society

 National Association of Landscape Professionals
 (formerly PLANET)
 Society of Commercial Arborists

 Society of Municipal Arborists

 Tree Care Industry Association

 Tree Care Industry Association
 – Associate Members (Vendors)

 USDA Forest Service
 Utility Arborist Association

Name of Representative

Craig Regelbrugge
 Rick Gessner
 Therese Clemens
 Susan Cahill
 Geoff Kempter
 Wayne Dubin
 Dr. Thomas Smiley (Alt.)
 Chris Klimas
 Dr. A.D Ali (Alt.)
 Dr. Richard Hauer
 Gene Pouly
 Mark Hoenigman (Alt.)
 Rex Bishop
 Paul Mendelsohn (Alt.)
 Steve Chisholm
 Torrey Young (Alt.)
 Sam Oludunfe
 Gordon Mann (Alt.)
 Sam Hill
 Tom Mugridge (Alt.)

 Patrick Anderson
 Tom Mugridge
 Jill Johnson
 Rebecca Spach

Additional organizations and individuals:

Dane Buell (Observer)
 Myron Laible (Observer)
 Matthew Simons (Observer)
 William Rees (Observer)

ASC A300 Part 3 Subgroup Chair:

Sam Hill

Mission: To develop consensus performance standards for the professional management of trees, shrubs and other woody plants.

Vision: ANSI A300 standards will be the foundation for work specifications, training materials, quality protocols, and regulations for the management of trees, shrubs, palms, and other woody landscape plants.

A300 (Part 3) *Supplemental Support Systems* Draft 1, Version 4 For 30 Day Public Review

The 30-day public review is limited to the proposed changes to the following subclauses:

30.3 Implementation

30.4.2 Supplemental support systems shall be installed and maintained by qualified arborists who, through related training or on-the-job experience, or both, are familiar with the standards, practices and hazards of arboriculture.

~~30.3.2 Supplemental support systems should be periodically inspected and maintained.~~

The location and type of utilities and other obstructions both below and above ground shall be considered prior to tree management operations.

30.4 Safety

30.4.1 This standard shall not take precedence over applicable industry safe work practices.

Performance shall comply with applicable Federal and State Occupational Safety and Health Administration (OSHA) standards, ANSI Z133, and other federal, state and local regulations.

~~30.4.2 Supplemental support systems shall be installed and maintained by qualified arborists who, through related training or on-the-job experience, or both, are familiar with the standards, practices and hazards of arboriculture.~~

~~30.4.4 The location and type of utilities and other obstructions both below and above ground shall be considered prior to tree management operations.~~

34 Specifications

Specifications shall be defined.

35 Practices

35.1 General

35.1.3 Anchors and braces should not be installed into significantly decayed areas.

~~Anchors and braces should not be installed into (visibly decayed) decayed areas where sound wood is less than 30% of the trunk or branch diameter, see Fig. 35.1.3~~

A300 (Part 3) Supplemental Support Systems Draft 1, Version 4 For 30 Day Public Review

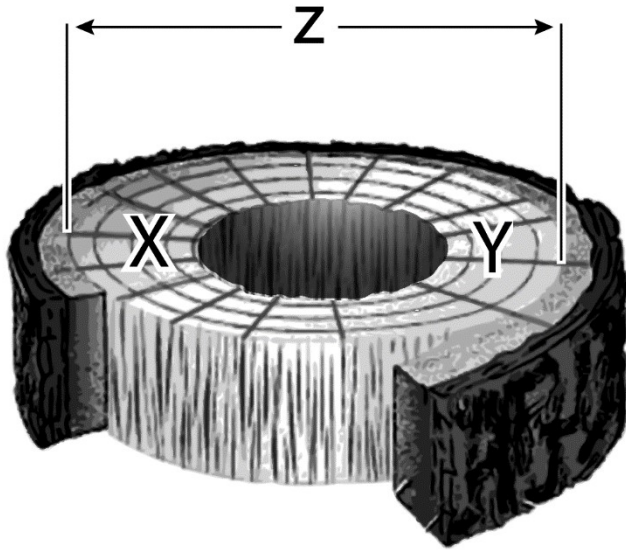


Fig. 35.1.3 Equations for finding the percentage of sound wood. Symbol Key for Equations:

- = sound wood depth, working side.
- = sound wood depth, opposite side.
- = total trunk/branch diameter, bark diameter not included.

Equation for percentage of sound wood for through-belt applications:

$$[(X + Y) \div Z] \times 100 = \% \text{ of sound wood for through-belt applications.}$$

Equation for percentage of sound wood for dead-end applications: $(X \div Z) \times 100 = \% \text{ of sound wood for dead-end applications.}$

40.2 Systems should include one or more of the following configuration types:

- Prop
- Guy
- Stake
- [Root ball Anchor anchor \(buried root ball straps\)](#)

42 **Definitions** (This clause is considered part of the ANSI A300 Part 3-2013 standard.)

42.33 **root ball anchor:** [Wood, steel or strap system that anchors the root ball to the ground.](#)

42.36 specifications: A detailed, ~~measurable~~ plan or proposal for performing a work activity or providing a product, usually a written document.

BSR/UL 60079-13, Standard for Safety for Explosive Atmospheres – Part 13: Equipment Protection by Pressurized Room “p” and Artificially Ventilated Room “v”

1. This proposal provides revisions to the proposal document dated February 1, 2019 per comments received.

PROPOSAL

1 Scope

1DV.1 DR Modification of the Clause 1DV.1.4 and Table 1DV.1 to replace with the following:

1DV.1.4 DR Where references are made to US adoptions of IEC, IEC/IEEE, ISO, ISO/IEC standards, the referenced requirements found in these standards shall apply as modified by any applicable US National Differences for the standard.

Table 1DV.1 – Exclusion of specific clauses or subclauses of IEC UL 60079-0

Clause of IEC <u>UL</u> 60079-0		IEC <u>UL</u> 60079-0 application to IEC <u>UL</u> 60079-13
Ed. 6.0 (2014 2013) (Informative)	Clause / subclause title (Normative)	
4	Equipment grouping	Applies
4.1	Group I	Excluded
4.2	Group II	Applies
4.3	Group III	Applies
4.4	Equipment for a particular explosive atmosphere	Applies
5.1	Environmental influences	Applies
5.1.1	Ambient temperature	Applies
5.1.2	External source of heating or cooling	Applies
5.2	Service temperature	Applies
5.3.1	Determination of maximum surface temperature	Applies
5.3.2.1	Group I electrical equipment	Excluded
5.3.2.2	Group II electrical equipment	Applies
5.3.2.3	Group III electrical equipment	Applies
5.3.3	Small component temperature for Group I and Group II electrical equipment	Excluded
6.1	General	Applies
6.2	Mechanical strength	Excluded
6.3	Opening times	Excluded
6.4	Circulating currents	Excluded
6.5	Gasket retention	Excluded
6.6	Electromagnetic and ultrasonic radiating equipment	Applies
7.1	General	Excluded
7.2	Thermal endurance	Excluded
7.3	Resistance to light	Modified
7.4	Electrostatic charges on external non-metallic materials	Excluded
7.5	Accessible metal parts	Excluded
8	Metallic enclosures and metallic parts of enclosures	Excluded

Clause of IEC <u>UL</u> 60079-0		IEC <u>UL</u> 60079-0 application to IEC <u>UL</u> 60079-13
Ed. 6.0 (2014 2013) (Informative)	Clause / subclause title (Normative)	
9	Fasteners	Excluded
10	Interlocking devices	Excluded
11	Bushings	Excluded
12	Materials used for cementing	Excluded
13	Ex components	Excluded
14	Connection facilities and termination compartments	Excluded
15	Connection facilities for earthing and bonding conductors	Excluded
16	Entries into enclosures	Excluded
17	Supplementary requirements for rotating electrical machines	Excluded
18	Supplementary requirements for switchgear	Excluded
19	Supplementary requirements for fuses	Excluded
20	Supplementary requirements for plugs and sockets	Excluded
21	Supplementary requirements for luminaires	Excluded
22	Supplementary requirements for caplights and handlights	Excluded
23	Equipment incorporating cells and batteries	Excluded
24	Documentation	Applies
25	Compliance of prototype or sample with documents	Applies
26.1	General	Applies
26.2	Test configuration	Applies
26.3	Tests in explosive test mixtures	Excluded
26.4	Tests of enclosures	Excluded
26.5	Thermal tests	Excluded
26.6	Torque test for bushings	Excluded
26.7	Non-metallic enclosures or non-metallic parts of enclosures	Excluded
26.8	Thermal endurance to heat	Excluded
26.9	Thermal endurance to cold	Excluded
26.10	Resistance to light	Applies
26.11	Resistance to chemical agents for Group I electrical equipment	Excluded
26.12	Earth continuity	Excluded
26.13	Surface resistance test of parts of enclosures of non-metallic materials	Excluded
26.14	Measurement of capacitance	Excluded
26.15	Verification of ratings of ventilating fans	Excluded
26.16	Alternative qualification of elastomeric sealing O-rings	Excluded
27	Routine tests	Applies
28	Manufacturers responsibility	Applies
29.1	Applicability	Applies
29.2	Location	Modified
29.3	General	Modified
29.4	Ex marking for explosive gas atmospheres	Modified
29.5	Ex marking for explosive dust atmospheres	Applies
29.6	Combined types of protection	Applies

Clause of IEC UL 60079-0		IEC UL 60079-0 application to IEC UL 60079-13
Ed. 6.0 (2014 2013) (Informative)	Clause / subclause title (Normative)	
29.7	Multiple types of protection	Excluded
29.8	Ga using two independent Gb types of protection	Excluded
29.9	Ex components	Excluded
29.10	Small equipment and small Ex components	Excluded
29.11	Extremely small equipment and extremely small Ex components	Modified
29.12	Warning markings	Applies
29.13	Alternate marking of equipment protection levels (EPLs)	Excluded
29.14	Cells and batteries	Applies
30	Instructions	Modified
Annex A	Supplementary requirements for Ex cable glands	Excluded
Annex B	Requirements for Ex components	Excluded
Annex C	Example of rig for resistance to impact test	Excluded
Annex D	Introduction to an alternative risk assessment method encompassing "equipment protection levels" for Ex equipment	Applies
<p>Applies: this requirement of IEC UL 60079-0 is applied without change.</p> <p>Excluded: this requirement of IEC UL 60079-0 does not apply.</p> <p>Modified: this requirement of IEC UL 60079-0 is modified as detailed in this document.</p> <p>NOTE The applicable requirements of IEC UL 60079-0 are identified by the clause title which is normative. This table was written against the specific requirements of IEC UL 60079-0, Ed 6.0.</p>		

2 Normative references

The following documents are referred to in the text in such a way that some or all of their content constitutes requirements of this document. For dated references, only the edition cited applies. For undated references, the latest edition of the referenced document (including any amendments) applies.

2DV DR Modification of Clause 2 references to replace with the following:

IEC 60050-426, International Electrotechnical Vocabulary – Part 426: Equipment for explosive atmospheres

~~IEC 60079-0, Explosive atmospheres – Part 0: Equipment – General requirements~~

IEC 60079-10-1, Explosive atmospheres – Part 10-1: Classification of areas – Explosive gas atmospheres

~~IEC 60079-29 (all parts), Explosive atmospheres – Gas detectors~~

NFPA 70, National Electrical Code

UL 60079-0, Explosive atmospheres – Part 0: Equipment – General requirements

UL 60079-29 (all parts), Explosive atmospheres – Gas detectors

6.1.7 Outward air velocity through a door**6.1.7DV D2 Modification of Clause 6.1.7 to replace with the following:**

Where an airlock is not provided, the minimum velocity through an open door shall be 0,3 m/s. The outward velocity shall be measured with 50 % of the available outlet area from all other outlets, capable of being opened, simultaneously open. A drop in pressure below 25 Pa is permissible during the time that these openings are open and the specified outward air velocity is maintained (see Error! Reference source not found. and ~~6.1.5~~ 6.1.7).

Openings that are not considered capable of being opened include:

- doors that are specified as an exception in ~~6.1.5~~ 6.1.7;
- gland or bulkhead plates or other similar covers that cannot be removed without the use of a key or tool.

The minimum outward velocity of air specified in ~~6.1.5~~ is based upon low wind condition and may need to be increased for local conditions.

6.3.3 Gas detectors**6.3.3DV D2 Modification of Clause 6.3.3 to replace with the following:**

The type, quantity and placement of detectors installed shall be based upon an end-user process risk evaluation and IEC UL 60079-29 (all parts). The safety requirements resulting from the risk assessment may be fulfilled by documented proven-in-use equipment.

NOTE For placement of gas detectors, additional guidance can be found in API RP 14C.

Annex A
(informative)

Maintenance

A1 Periodic verification**A.1DV D2 Modification of Clause A.1 to replace with the following:**

In addition to the activities required by IEC UL 60079-17, the following should be verified on a periodic basis:

- performance of safety control devices and functions;
- integrity of ducting;
- integrity of penetrations;
- whether the documentation required in Clause Error! Reference source not found. for safe shut-down and start-up is still appropriate;
- instructions.

Bibliography

Modification of the Bibliography to replace with the following:

API RP 14C, Recommended Practice for Analysis, Design, Installation, and Testing of Safety Systems for Offshore Production Facilities

API RP 505, Recommended Practice for Classification of Locations for Electrical Installations at Petroleum Facilities Classified as Class I, Zone 0, Zone 1, and Zone 2

IEC 60050-151, *International Electrotechnical Vocabulary – Part 151: Electrical and magnetic devices*

IEC 60079-2, Explosive atmospheres – Part 2: Equipment protection by pressurized enclosure "p"

IEC 60079-14, *Explosive atmospheres – Part 14: Electrical installations design, selection and erection*

IEC 60079-17, Explosive atmospheres – Part 17: Electrical installations inspection and maintenance

ANSI/IEC 60529, Degrees of protection provided by enclosures (IP Code)

IEC 61285, *Industrial-process control – Safety of analyser houses*

IEC 61508 (all parts), *Functional safety of electrical/electronic/programmable electronic safety-related systems*

IEC 61511 (all parts), *Functional safety – Safety instrumented systems for the process industry sector*

IEC TR 61831, *On-line analyser systems – Guide to design and installation*

UL 60079-2, Explosive atmospheres – Part 2: Equipment protection by pressurized enclosure "p"

UL 60079-17, Explosive atmospheres – Part 17: Electrical installations inspection and maintenance

UL copyrighted material. Not authorized for further reproduction without prior permission from UL.

BSR/UL 2218-201x, Standard for Impact Resistance of Prepared Roof Covering Materials

1. Revision of Section 1.1

1.1 This test method provides impact resistance data for the evaluation of prepared roof covering materials. For purposes of this Standard prepared roof covering materials are considered to be small units, sheets or panels designed for installation with multiple layers of such materials installed in overlapping rows normally on inclines exceeding 25 percent.

1.1A Impact resistance testing for the evaluation of low slope roofing systems are covered under UL 2218A, Impact Resistance of Roofing Systems.

2. Revision of Section 4.3

4.4.3 For roof covering materials with factory-applied adhesives, the completed test assemblies are to be placed in a conditioning cell and maintained at a temperature of 57 - 60°C (135 - 140°F) for a continuous period of not less than 16 hours. To avoid damage when examining tested samples, prevent the self-seal adhesive from adhering by covering it with masking tape or other similar type material. After conditioning, the test assemblies are to be allowed to cool to room temperature. Care is to be taken to avoid disturbing shingle tabs or causing any twisting or distortion of the test panels in handling.

3. Depth of Depression Revision

8.1 The report shall include the following:

- a) Description of the sample preparation and deck construction;
- b) Description of the sample;
- c) Sample conditioning procedure;
- d) Size of steel ball and impact locations;
- e) Observations and measurements of each impact location, including:
 - 1) ~~Depth of depressions, when depressions occur, following the single impacts.~~
 - 2) ~~1) Any tearing, fracturing, cracking, splitting, rupture, crazing, or other evidence of opening of the roof covering layer.~~
 - 3) ~~2) Any chipping or peeling of metal shingle coatings or other coated roof covering materials.~~
 - 4) ~~3) Any chipping or spilling of concrete tile or fiber cement shingles, other than those which extended through the shingle or tile cross-section.~~
- f) Determination of pass or fail.

4. Revision of Section 5

5.1 The test apparatus is to consist of lengths of 2-in (50.8 mm) diameter (ID) and 3-in (76.2 mm) diameter (ID) schedule 40 PVC pipe secured vertically (perpendicular +/- 1 degree to the surface of the target specimen) over the target specimen. Drop positions are to be prepared to provide for the release of steel balls down the centerline of the pipe at the drop heights specified for each size (diameter) of steel ball. The 2-in diameter pipe is to be used for the 1.25 and 1.50 in steel balls. The 3-in diameter pipe is to be used for the 1.75 and 2.00 in steel balls. See Figure 5.1.

Exception: A drop method other than that specified in Figure 5.1 that assures consistent drops using the specified steel balls at the specified drop heights meets these drop method requirements.

5.2 A light source that is bright enough to be clearly seen on the surface of the assembly being tested shall be mounted at the top of the pipe to be used for the purpose of positioning the assembly in the proper location for the desired location to be impacted. In lieu of a light source at the top of the pipe, one or more laser emitting devices may be mounted at the bottom of the pipe, with each laser aimed at the center line of the pipe, to designate the location to be impacted.

Exception: A drop method other than that specified in Figure 5.1 that assures consistent drops using the specified steel balls at the specified drop heights meets these drop method requirements.

5.23 The steel balls (chrome or stainless) are to be 1.25 ±0.01 in (31.8 ±0.25 mm), 1.50 ±0.01 in (38.1 ±0.25 mm) 1.75 ±0.01 in (44.5 ±0.25 mm) and 2.00 ±0.01 in (50.8 ±0.25 mm) in diameter, weighing 0.28 ±0.01 lb (126.9 ±4.5 g), 0.48 ±0.02 lbs (217.6 ±9 g), 0.79±0.04 lb (358.2 ±18.1 g) and 1.15 ±0.04 lbs (521.4 ±18 g), respectively, with a Rockwell C hardness of 57 to 66.

5.34 The release device is to be designed so as to assure a straight drop down the centerline of the pipe. A sketch of an acceptable device is shown in Figure 5.2. Release is achieved by sliding the fork from the pipe, thereby allowing the ball to fall between the adjustable screws down the centerline of the pipe. Other release devices are acceptable when the objective for release of the steel balls down the centerline of the pipe is met.

5.45 Table 5.1 is to be used to determine the drop height to be used with each respective steel ball size (diameter). Table 5.1 also provides the corresponding kinetic energy associated with each drop.

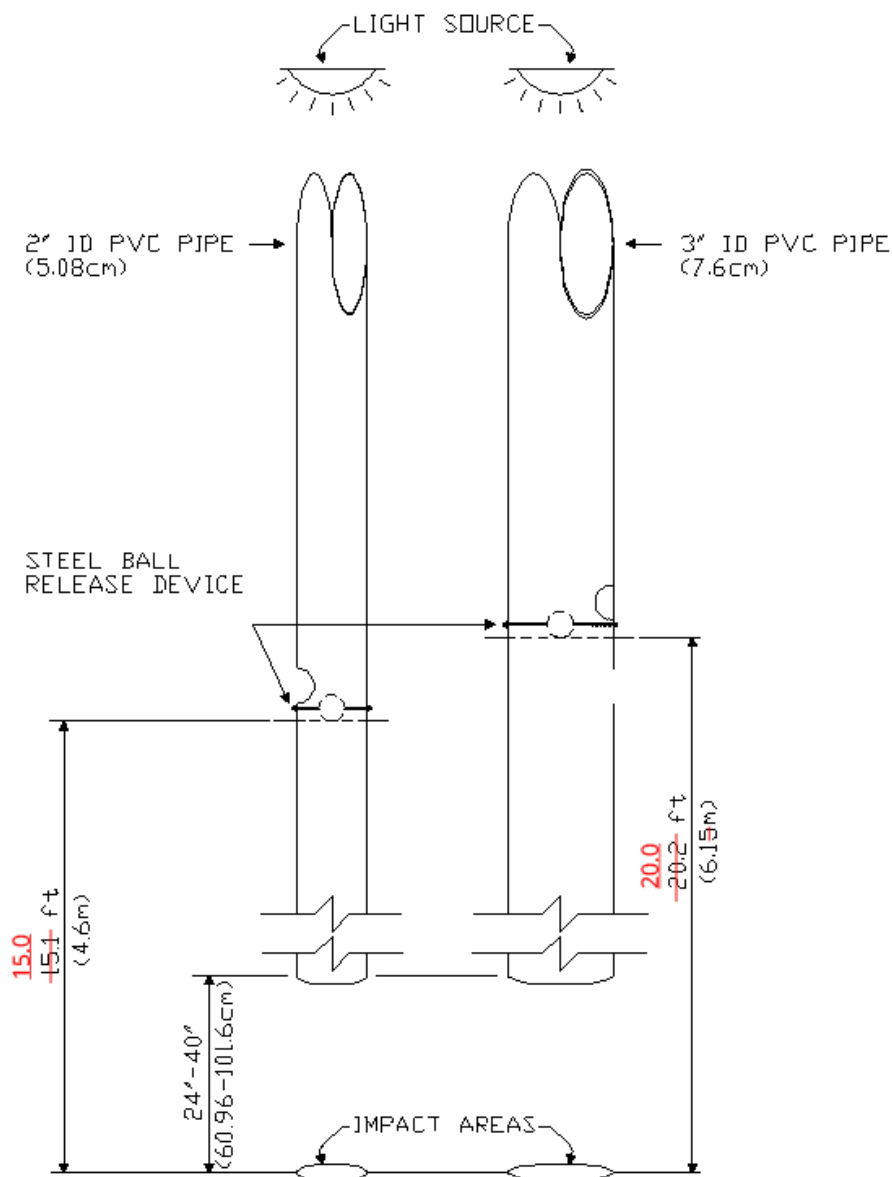
Table 5.1

Drop height and kinetic energy

Class	Steel ball diameter		Distance		Kinetic energy	
	Inches	(mm)	Feet	(m)	ft-lbf	(J)
1	1-1/4	(31.8)	12.0	(3.7)	3.53	(4.78)

2	1-1/2	(38.1)	15.0	(4.6)	7.35	(9.95)
3	1-3/4	(44.5)	17.0	(5.2)	13.56	(18.37)
4	2	(50.8)	20.0	(6.1)	23.71	(32.12)

Figure 5.1
Test apparatus



UL SM1163

5. Mandrel Requirement Revision

6.1 Tests are to be conducted in a room at a temperature of 73.4 ±3.4°F (23.0 ±1.8°C). Each test assembly is to be subjected to a series of two coincident drops from a specific size steel ball at each of six locations selected based upon examination for vulnerability.

These locations are to include but not be limited to edges, corners, unsupported areas, overlaps and joints. The drop shall be considered coincident when the approximate center of the impact depression of the second drop is measured to be within 1/2 in (12.7 mm) of the first.

6.2 The test assembly shall be placed on a flat concrete surface for the duration of the testing. Alternatively, a movable carriage shall be permitted to be used provided that the carriage employs castors that can be locked into place to resist movement during the test.

~~6.23 After the first drop at each location, the resultant depression is to be measured and recorded to the nearest 0.01 in. (0.25 mm) using a depth gauge. After the assembly has been subjected to all drops at the selected impact locations the prepared roof covering material is to be carefully removed from the test assembly and examined on both top and bottom surfaces at the impacted areas. Where multiple layers of the prepared roof covering material are located under the impacted area each layer is to be examined separately.~~

6.34 Visual damage observations are to be facilitated by examining the samples under 5X magnification and the observations recorded for each impact location, based upon the Acceptance Criteria in Section 7 and the Report information specified in Section 8.

6.45 For roof covering materials having the flexibility to be bent over an ~~48-in (102203~~ mm) diameter mandrel, damage assessments are to be facilitated by bending the roof covering layer over the ~~4-in (102 mm)~~ diameter mandrel at each impact location, with the top surface in contact with the mandrel. The roof covering area having received the impact is to be bent over the mandrel on two axes (machine direction and 90° to the machine direction).

6. Acceptance Criteria Revision

7.1 The prepared roof covering material is to be examined after being subjected to the test procedure described in Section 6. The prepared roof covering material exposed surface, back surface and underneath layers shall show no evidence of tearing, fracturing, cracking, splitting, rupture, crazing or other evidence of opening through any prepared roof covering layer.

~~7.2 For asphalt shingles, a visible crack of the asphalt on the back of the shingles shall be determined to be a failure.~~

~~7.32 For wood, tile, concrete, fiber cement, plastic and metal roof covering materials, a surface crack shall not be determined to be a failure. A crack that extends through the cross-section of the roof covering material layer shall be determined to be a failure.~~

7.43 Cosmetic damage in and of itself shall not be determined to be a failure. Cosmetic damage such as denting, granule loss, or other damage not extending through the cross-sectional area of a roof covering material layer, cracking of any paint finish, etc. shall not be determined to be a failure.

7. New Appendix B

APPENDIX B

B1 General

B1.1 This Appendix provides new, updated information regarding hail fall speeds and impact energies.

B1.2 The following values in Table B1 were derived from the impact energy of hailstones published by Heymsfield et al. in 2014². The authors determined the relationship between hailstone mass, diameter, terminal velocity, and approximate kinetic (impact) energy as shown below. Heymsfield et al. leveraged a new method to account for hailstone aerodynamic properties presented by Heymsfield and Wright 2012³. Physical measurements of natural hailstones, collected in the field, were used to derive hailstone diameter-to-terminal velocity/kinetic energy functions. The improved relationships consider natural hailstone mass, shape, and their associated aerodynamic effects. Historical research only applied those properties for spherical shapes.

Table B1

Terminal velocities and energies of hailstones standard test methods

<u>Diameter</u>		<u>Terminal velocity</u>			<u>Approximate impact energy</u>	
<u>inches</u>	<u>(cm)</u>	<u>ft/s</u>	<u>mi/hr</u>	<u>(m/sec)</u>	<u>Ft-lbs</u>	<u>Joules</u>
<u>1</u>	<u>(2.5)</u>	<u>71.33</u>	<u>48.62</u>	<u>21.74</u>	<u>0.89</u>	<u>1.21</u>
<u>1-1/4</u>	<u>(3.2)</u>	<u>77.17</u>	<u>52.59</u>	<u>23.52</u>	<u>2.34</u>	<u>3.18</u>
<u>1-1/2</u>	<u>(3.8)</u>	<u>82.21</u>	<u>56.03</u>	<u>25.06</u>	<u>5.11</u>	<u>6.92</u>
<u>1-3/4</u>	<u>(4.5)</u>	<u>86.80</u>	<u>59.16</u>	<u>26.46</u>	<u>9.97</u>	<u>13.52</u>
<u>2</u>	<u>(5.1)</u>	<u>90.92</u>	<u>61.97</u>	<u>27.71</u>	<u>17.64</u>	<u>23.92</u>
<u>2-1/2</u>	<u>(6.4)</u>	<u>98.30</u>	<u>67.00</u>	<u>29.96</u>	<u>46.16</u>	<u>62.58</u>
<u>2-3/4</u>	<u>(7.0)</u>	<u>101.66</u>	<u>69.29</u>	<u>30.99</u>	<u>69.82</u>	<u>94.66</u>
<u>3</u>	<u>(7.6)</u>	<u>104.78</u>	<u>71.41</u>	<u>31.94</u>	<u>101.28</u>	<u>137.30</u>

B1.3 The values used by UL in the 2218 standard are based on Laurie's¹ work (as described in Appendix A), and are thus conservative in nature because they require higher impact energies than the state-of-the-art literature provided by Heymsfield et al.².

¹Laurie, J.A.P., "Hail and its Effects on Buildings," Research Report No. 176, NBRI, Pretoria, South Africa, August 1960.

²Heymsfield, A.J., Giammanco, I.M., Wright, R. (2014). Terminal velocities and kinetic energies of natural hailstones. Geophys. Res. Lett., 41, 8666-8672.

³Heymsfield, A.J. and R. Wright (2014). Graupel and hail terminal velocities: Does a "Supercritical" Reynolds number apply? J. Atmos. Sci., 9, 3392-3403.

BSR/UL 60745-1, Standard for Safety for Hand-Held Motor-Operated Electric Tools – Safety – Part 1: General Requirements

1. Proposed Addition Of National Differences To Clause L.18.201 To Align Abnormal Testing Requirements With The Inherent System Protections Of Electronically Commutated Motors

L.18 Abnormal operation

This clause only applies when the tool is in the configuration where it is directly connected to the mains or to a non-isolated source.

L.18.201 All tools when operating only under battery power and their battery packs shall be so designed that the risk of fire or electric shock as a result of abnormal operation is obviated as far as is practical.

Compliance is checked by the following tests:

The battery tool and battery pack, as is appropriate, are to be placed on a soft wood surface covered by two layers of tissue paper; the battery tool and battery pack are to be covered by one layer of untreated 100% cotton medical gauze. The test is to be conducted until failure or until the test sample returns to room temperature. A new sample can be used for each fault listed below. There shall be adequate protection against electric shock as defined in Clauses [L.9](#) and [L.13](#) and no charring or burning of the gauze or tissue paper shall result when a battery tool and battery pack are subjected to any one of the following fault conditions shown below in tests a) to f).

Charring is defined as a blackening of the gauze caused by combustion. Discolouration of the gauze caused by smoke is acceptable.

Thermal cut-outs and thermal overloads may operate during the above tests. In this case, the same test is to be repeated three more times, using three additional samples. The resistance for the short in items a), b), d), e) and f) shall not exceed 10 mΩ.

- a) *The terminals of a detachable battery pack with exposed terminals are shorted. Battery pack terminals that can be contacted using either [Figure 1](#) or [Figure 2](#) probes are considered exposed. The means of shorting shall not attain excessive temperatures so as to char or ignite the tissue paper or gauze.*
- b) *The motor terminals are shorted.*
- c) *The motor rotor is locked.*
- d) *A cord provided between the separable battery pack and the battery tool shall be shorted at the point likely to produce the most adverse effects.*
- e) *A cord provided between the tool and the charger shall be shorted at the point likely to produce the most adverse effects.*

f) For battery tools a short is introduced between any two uninsulated parts of opposite polarity not in accordance with the spacings given in [L.28.201](#).

L18.201DV.1 D2 Modification: Replace Item (b) of Clause [L.18.201](#) with the following:

b) The terminals of each motor are shorted one at a time, except for electronically commutated motors.

L18.201DV.2 D2 Modification: Replace Item (c) of Clause [L.18.201](#) with the following:

c) The rotor of each motor is locked one at a time, except for electronically commutated motors.

2. Proposed Addition Of A National Differences To Allow Manufacturers To Substitute Marking And Instruction Requirements In UL 60745-1 With Marking And Instruction Requirements Specified In UL 62841-1

8.12.1 The subjects of safety instructions are the General Power Tool Safety Warnings of Part 1 as given in [8.12.1.1](#), the specific tool Safety Warnings of the relevant part 2 and any additional safety warning statements deemed necessary by the manufacturer. The General Power Tool Safety Warnings and the specific tool Safety Warnings, if in English, shall be verbatim and in any other official language to be equivalent.

Format of all Safety Warnings must differentiate, by font highlighting or similar means, the context of clauses as illustrated below.

All notes in the safety instructions are not to be printed, they are information for the designer of the manual.

8.12.1DV D1 Modification: Add the following paragraph:

An instruction manual in accordance with the instructions clause of the latest edition of the product standard may be used.

8.12.1 DV.1 D2 Modification: Add the following paragraph to Clause 8.12.1:

Clauses 8.12.1.1, 8.12.1.2, 8.12.2 (first paragraph and associated warnings only) may be replaced in their entirety with Clauses 8.14.1.1, 8.14.1.2, and 8.14.1.3 of UL 62841-1 or CAN/CSA C22.2 No. 62841-1. Partial substitution of this set of clauses above between standards is not permitted.

K.8.12.1.1 This subclause is applicable except as follows:

Item 5) Service, is replaced by the following:

5) Battery tool use and care

- a) **Recharge only with the charger specified by the manufacturer.** *A charger that is suitable for one type of battery pack may create a risk of fire when used with another battery pack.*
- b) **Use power tools only with specifically designated battery packs.** *Use of any other battery packs may create a risk of injury and fire.*
- c) **When battery pack is not in use, keep it away from other metal objects, like paper clips, coins, keys, nails, screws or other small metal objects, that can make a connection from one terminal to another.** *Shorting the battery terminals together may cause burns or a fire.*
- d) **Under abusive conditions, liquid may be ejected from the battery; avoid contact. If contact accidentally occurs, flush with water. If liquid contacts eyes, additionally seek medical help.** *Liquid ejected from the battery may cause irritation or burns.*

6) Service

- a) **Have your power tool serviced by a qualified repair person using only identical replacement parts.** *This will ensure that the safety of the power tool is maintained.*

K.8.12.1.1DV D2 Modification: Add the following paragraph to Clause K.8.12.1.1:

Clauses 8.12.1.1, 8.12.1.2, 8.12.2 (first paragraph and associated warnings only) may be replaced in their entirety with Clauses 8.14.1.1, 8.14.1.2, and 8.14.1.3 of UL 62841-1 or CAN/CSA C22.2 No. 62841-1. Partial substitution of this set of clauses above between standards is not permitted.

L.8.12.1.1 This subclause is applicable except as follows:

Item 5) Service is replaced by the following:

5) Battery tool use and care

- a) **Recharge only with the charger specified by the manufacturer.** *A charger that is suitable for one type of battery pack may create a risk of fire when used with another battery pack.*
- b) **Use power tools only with specifically designated battery packs.** *Use of any other battery packs may create a risk of injury and fire.*
- c) **When battery pack is not in use, keep it away from other metal objects like paper clips, coins, keys, nails, screws, or other small metal objects, that can make a connection from one terminal to another.** *Shorting the battery terminals together may cause burns or a fire.*

d) Under abusive conditions, liquid may be ejected from the battery; avoid contact. If contact accidentally occurs, flush with water. If liquid contacts eyes, additionally seek medical help. *Liquid ejected from the battery may cause irritation or burns.*

6) Service

a) Have your power tool serviced by a qualified repair person using only identical replacement parts. *This will ensure that the safety of the power tool is maintained.*

L.8.12.1.1DV D2 Modification: Add the following paragraph to Clause L.8.12.1.1:

Clauses 8.12.1.1, 8.12.1.2, 8.12.2 (first paragraph and associated warnings only) may be replaced in their entirety with Clauses 8.14.1.1, 8.14.1.2, and 8.14.1.3 of UL 62841-1 or CAN/CSA C22.2 No. 62841-1. Partial substitution of this set of clauses above between standards is not permitted.

UL copyrighted material. Not authorized for further reproduction without permission from UL.

BSR/UL 61730-2, Standard for Safety for Photovoltaic (PV) Module Safety Qualification - Part 2: Requirements for Testing

1. Clarification for Conducting the Production Line Wet Insulation-Resistance Test of Annex DVA.

DVA.3 Wet insulation-resistance test

This test verifies that the insulation properties of outer surfaces of the production PV modules meet the electrical safety requirements of this standard. For modules with a metal frame surrounding the edges of the module, either this test or the test in DVA.7 shall be performed with a sampling rate of 100%. For modules without a metal frame surrounding the edges of the module, this test shall be performed with a sampling rate of 100%.

Each module shall withstand the requirements of Clause 10.14 (MST 17).

Exception No. 1: Test voltage, test duration and water temperature of Clause 10.14 (MST 17) shall be changed for Production Line Tests as described below.

Exception No. 2: Terminal boxes and pigtail-leads or other connectors don't need to be wetted.

The test voltage V_{TEST} is calculated by multiplying the maximum system voltage V_{SYS} by a factor Y .

$$V_{TEST} = V_{SYS} \times Y$$

$Y = 1$ is used for a minimum test duration of 1 min. $Y = 1.2$ is used for a minimum test duration of 5 s. Ramp-up time for test voltage is chosen such that no time induced breakdown will occur. During the test no breakdown of test voltage shall occur.

The temperature range of the water is ~~15 °C to 45 °C~~ 20 °C to 30 °C. The leakage current shall be corrected to 25 °C using a demonstrated correction factor for the PV module, to be determined for each PV module type.

For PV modules with cemented joints V_{TEST} shall be increased by a factor of 1.35.

Note: An example for $V_{SYS} = 1500$ V for cemented joints for test duration of 5 s is $V_{TEST} = 1500$ V \times 1.2 \times 1.35 = 2430 V